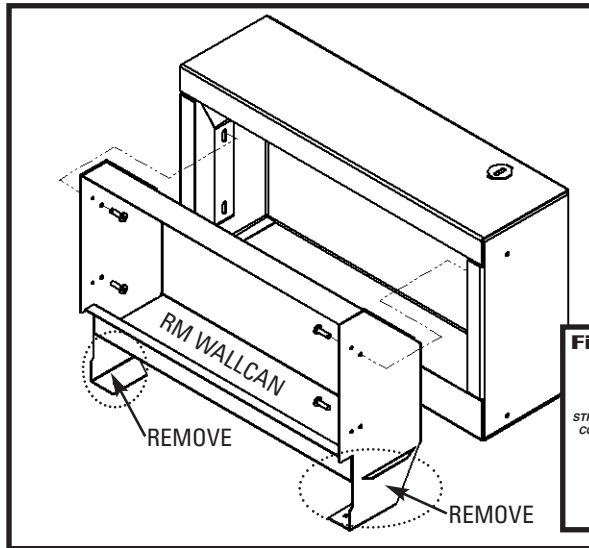




# Surface Mount Metal Adapter OWNER'S GUIDE

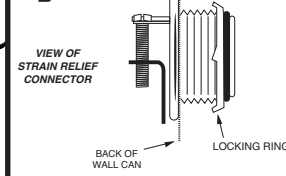


**Model: RMS4 use with any Cadet RM Series heater**

**Provided:**

- 4 Sheet metal screws
- 1 Painted surface mount adapter
- Installation instructions

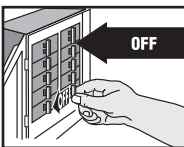
**Figure 1**



**Tools Required:**  
Phillips Screwdriver  
Straight Screwdriver  
Wire Strippers  
Drill  
Drill Bits  
Utility Knife  
Hammer  
Chisel  
4 Wall Fasteners  
1 Strain relief connector

Before mounting the adapter, read heater installation instructions for minimum clearance requirements.

## IMPORTANT INFORMATION



**WARNING**

Turn the electrical power off at the electrical panel board (circuit breaker or fuse box) and lock or tag the panel board door to prevent someone from turning on power while you are working on the heater. Failure to do so could result in serious electrical shock, burns, or possible death.

## SAVE THESE INSTRUCTIONS

### Installing the Surface Adapter

1. If you are wiring through the wall to the heater, proceed to step 6.
2. Remove the adapter knockout closest to the supply wires.
3. Mount the adapter securely to the wall surface, using appropriate wall fastener.
4. Remove both wall can legs by bending back and forth until disconnected (see illustration above).
5. Install strain relief connector into adapter knockout. Feed supply wire through connector (fig 1). Proceed to step 7.
6. If wiring through the wall, install a strain relief connector into the wall can. Feed wires through connector (fig 1).
7. Insert wall can into adapter bottom first, then tilt top inward. Secure the wall can to the adapter using the four screws provided.
8. Install heater according to the Installation Instructions provided with the heater.

## Warranty

**LIMITED ONE YEAR WARRANTY:** Cadet Manufacturing Co. will repair or replace any Cadet product, including thermostats, found to be defective or malfunctioning from first date of purchase through the first year.

**These warranties do not apply:**

1. To conditions resulting from improper installation or incorrect supply voltage;
2. To conditions resulting from improper maintenance, misuse, abuse, accident, or alteration;
3. To service calls, or any warranty labor not performed at the Cadet Manufacturing facility;
4. If the date of manufacture cannot be determined;
5. To freight damaged products.

CADET SHALL NOT BE LIABLE FOR DAMAGES SUCH AS PROPERTY DAMAGE AND/OR INCIDENTAL EXPENSES RESULTING FROM BREACH OF THESE WRITTEN WARRANTIES OR ANY IMPLIED WARRANTY.

These warranties give you specific legal rights, and you may also have other rights which vary from state to state. Cadet neither assumes, nor authorizes anyone to assume for it, any other obligation or liability in connection with these electric heaters or any part of such heaters. If the product should become defective during the warranty period, contact Cadet Manufacturing Co. at 360-693-2505 for instructions on how to have the repair or replacement processed. Products returned without authorization will be refused.

**Parts and Service**

Contact Cadet for information on Parts or Service.