



The Register Plus (Model RM)

RM-T2 Integral Thermostat

INSTALLATION GUIDE

!! Warning !!

Extreme caution should be taken when working with electricity. Turn off all power at the circuit breaker or fuse box before doing any electrical wiring. Lock, tape, or tag the circuit panel door so power cannot be turned back on during installation. Failure to do so could result in serious injury or possible fatality!

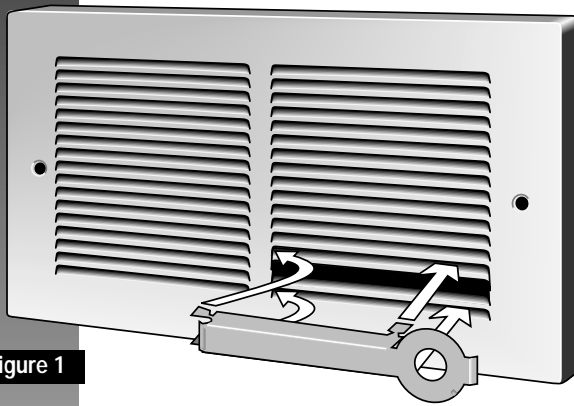
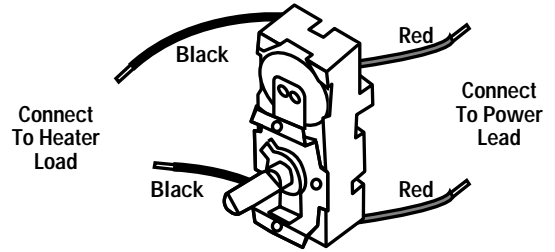


Figure 1

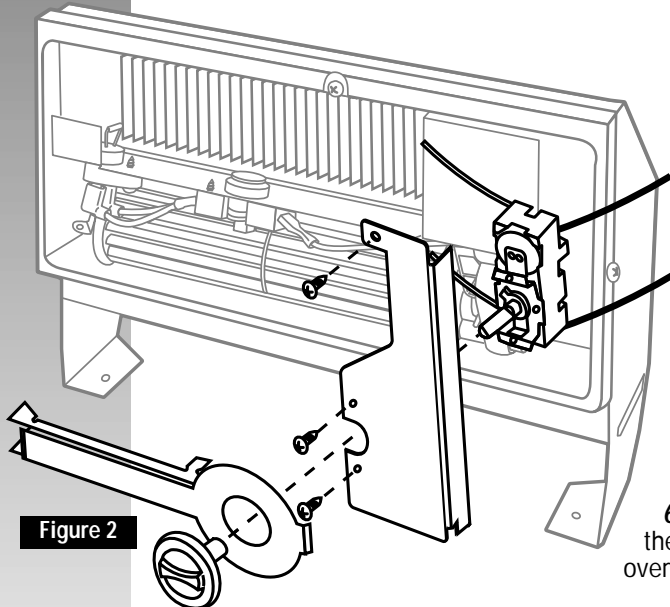


Figure 2

KIT INCLUDES

- Mounting Bracket/ Thermostat Assembly
- Knob
- #8 Screw (3/8)
- Thermostat Face Plate
- Instructions

TOOLS REQUIRED

- Needle Nose Pliers
- Phillips Screwdriver

INSTALLATION

1. Read Register Plus heater instructions for safety information and how to install wall can. Set the heater assembly, blower wheel first, into the left side of the wall can. Fasten at top with screw as provided.

2. Connect the 2 black thermostat wires to the 2 heater wires. Connect the 2 red thermostat wires to the incoming supply wires. (Refer to wiring diagram.)

3. Gently place wires inside junction area keeping the wires away from all moving parts.

4. Place the bracket/thermostat assembly so that it captures the bottom edge of the wall can. Fasten the bracket at the top with the #8 screw provided.

5. Holding the grill with labels on top, remove the second louver from the bottom with needle nose pliers. By bending the louver back and forth at each end, the louver will separate from the grill (Figure 1).

Important: Only remove the right side louver .

6. Align the thermostat face plate so that the tabs slip under the center divider and the first and third louver. Turn the grill over and bend all four tabs to secure plate in place.

7. Align the grill so that the thermostat shaft is in the center of the hole. Tighten grill to the heater with screws. Press thermostat knob onto shaft and turn fully counter-clockwise.

8. Turn on power at the circuit breaker(fuse box) and turn thermostat knob fully clockwise until temperature is comfortable, then turn knob left until a click sound is heard and the heater turns off. A few adjustments may be necessary to find your comfort zone

NOTE: This thermostat is double pole and so has a positive off. If you do not want the heater to come on even when the climate turns cold, turn the knob fully counterclockwise .

800-442-2338

360-693-2505

Fax: 360-694-6939

P.O. Box 1675

Vancouver, WA

98668-1675

KEEP FOR FUTURE REFERENCE