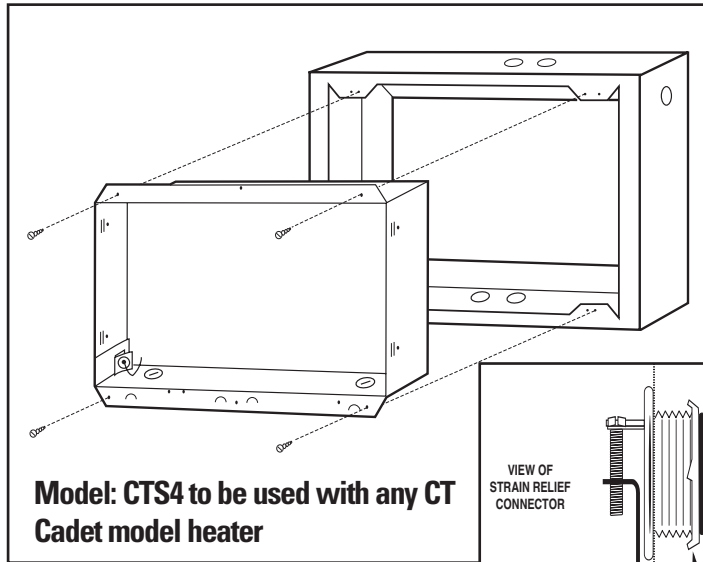


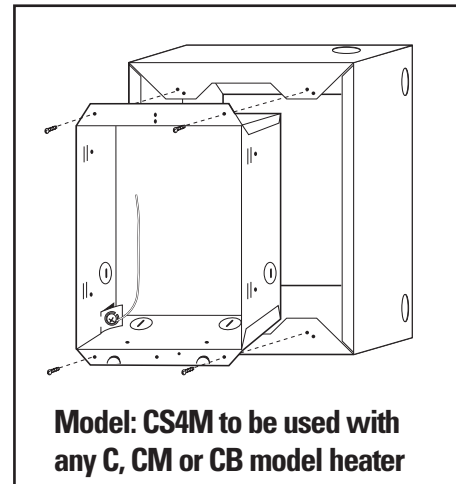
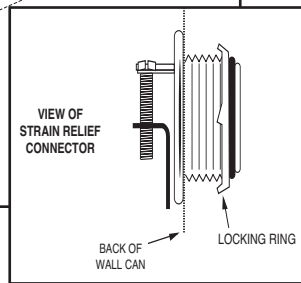


# Surface Mount Metal Adapter

## OWNER'S GUIDE



Note: Drawing not to scale



### Provided:

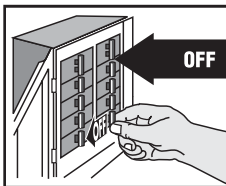
- 4 Sheet metal screws
- 1 Painted surface mount adapter
- Installation instructions

**Tools Required:**  
Phillips Screwdriver  
Straight Screwdriver

**Wire Strippers**  
**Drill & Drill Bits**  
**4 Wall Fasteners**

**Appropriate Wire Nuts**  
**Conduit Connector**  
**Strain Relief Bushing**

## IMPORTANT INSTRUCTIONS



Before mounting the adapter, read heater installation instructions for heater placement minimum clearances.

### ⚠ WARNING

Turn the electrical power off at the electrical panel board (circuit breaker or fuse box) and lock or tag the panel board door to prevent someone from turning on power while you are working on the heater. Failure to do so could result in serious electrical shock, burns, or possible death.

## INSTALLATION INSTRUCTIONS

If you are uncomfortable working with electrical appliances, unable to follow these guidelines, or do not have the necessary equipment, consult a qualified electrician.

1. Mount the adapter securely to the wall surface, using wall fasteners (not provided). Refer to Owner's Guide for minimum heater clearances.
2. Route the supply wires:
  - If you are wiring through the wall to the heater: Remove the knockout in the wall can closest to the supply wires and install a strain relief connector. Feed supply wires through connector in wall can and secure, leaving 6 inches of wire for later use. Proceed to Step 3

- If you are wiring through a knockout in the adapter:  
Note: All wiring outside of the adapter must be protected by conduit or other approved devices. Remove the knockout in the adapter closest to the supply wires. Feed supply wires through a conduit connector in the adapter, leaving 14 inches of wire for later use. Remove a knockout in the wall can closest to the supply wires. Install a strain relief bushing (not provided) in the wall can knockout. Feed supply wires through the strain relief bushing in the wall can and secure them with the wire clamp. Proceed to Step 3.
3. Secure the wall can to the adapter using the 4 screws provided.
  4. Install heater according to the installation instructions included with the heater.

## SAVE THESE INSTRUCTIONS