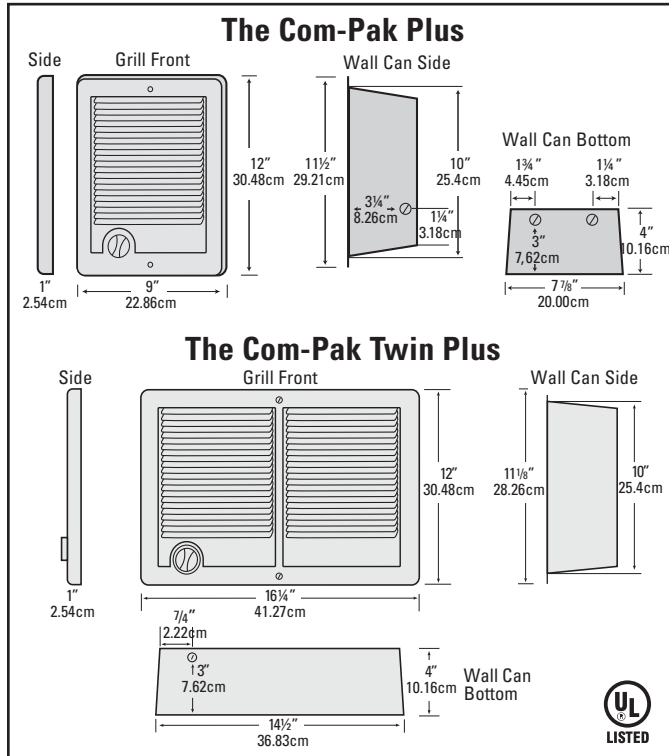




The Com-Pak Plus

MODEL CS OWNER'S GUIDE



- TOOLS REQUIRED:**
- Phillips Screwdriver
 - Straight Screwdriver
 - Wire Strippers
 - Utility Knife
 - (4) 1 1/2" Wood Screws
 - Insulated Wire Connectors
 - (1) Strain Relief Connector



Features & Benefits

NEW Primary and secondary thermal safeguards

- Robust, heavy duty high temperature manual power reset
- Over temperature one-time thermal fuse
- Nichrome element wrapped around mica insulators for durability
- Powder coat paint process eliminates sharp cutting edges
- Two year extended warranty
- Wall can designed for ease of installation
- Factory tested

MODELS

The Com-Pak Plus (Model CS)

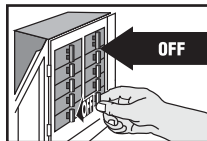
CS051	* CS051T	CS052	* CS052T
CS058	* CS058T	CS072	* CS072T
CS078	* CS078T	CS101	* CS101T
CS102	* CS102T	CS118	* CS118T
CS122	* CS122T	CS151	* CS151T
CS152	* CS152T	CS158	* CS158T
CS202	* CS202T	CS208	* CS208T

The Com-Pak Twin Plus (Model CST)

CST102	CST152	CST252	* CST252T
CST302	* CST302T	CST308	* CST308T
CST402	* CST402T	CST408	* CST408T

*Standard built-in thermostat is single pole and has no "OFF" position

IMPORTANT INSTRUCTIONS



⚠ WARNING

Turn the electrical power off at the electrical panel board (circuit breaker or fuse box) and lock or tag the panel board door to prevent someone from turning on power while you are working on the heater. Failure to do so could result in serious electrical shock, burns, or possible death.

1. Read all instructions before using this heater.
2. Read all information labels. **Verify that the electrical supply wires are the same voltage as the heater.**
3. All electrical work and materials must comply with the National Electric Code (NEC), the Occupational Safety and Health Act (OSHA), and all state and local codes.
4. Connect the grounding screw provided in the wall can to the supply ground wire.
5. If you need to install a new circuit or need additional wiring information, consult a qualified electrician.
6. Protect electrical supply from kinks, sharp objects, oil, grease, hot surfaces or chemicals.
7. ⚠ **WARNING**
Overheating or fire may occur. DO NOT install the heater in a floor, behind doors, or outdoors.

8. ⚠ **WARNING**
Fire or explosion may occur. Heater has hot and arcing or sparking parts inside. Do not install heater in any area where combustible vapors, gases, liquids, or excessive lint or dust are present.
9. ⚠ **WARNING**
Burn Hazard. This heater is hot when in use. To avoid burns, do not let bare skin touch hot surfaces. Use extreme caution when any heater is used by or near children or invalids and whenever the heater is left operating unattended.
10. ⚠ **WARNING**
Risk of Electrical Shock. Keep all foreign objects out of heater. Do not operate after heater malfunctions or has been dropped or damaged in any manner.
11. ⚠ **WARNING**
Risk of Fire. Do not block heater. Heater must be kept clear of all obstructions: a minimum of 3 feet in front, 6 inches above and on both sides. Heater must be kept clean of excessive lint, dirt and debris. (See Maintenance Instructions).
12. Use this heater only as described in this manual. Any other use not recommended by the manufacturer may cause fire, electrical shock, or injury to persons.

SAVE THESE INSTRUCTIONS

READ ALL INSTRUCTIONS AND SAFETY INFORMATION

Installation Instructions

Part One

PLACEMENT: Read IMPORTANT INSTRUCTIONS for important safety requirements. Install The Com-Pak Plus (Model CS) vertically (recommended) or horizontally. Model CS may be installed in the ceiling (for models up to 1500W maximum. See ceiling mount instructions). The Com-Pak Twin Plus (Model CST) must be installed with the arrows in the wall can pointing upwards.

THERMOSTAT: A wall thermostat is required for models without a built-in thermostat. A Cadet Electronic Thermostat is recommended for ultimate control and comfort.

How do I install for new construction walls?

STEP 1 Mount The Wall Can

The CS Series REQUIRES A MINIMUM distance of 6 inches from adjacent surfaces and 4 1/2 inches from the floor (See Figure 4) and the CST Series REQUIRES A MINIMUM distance of 6 inches from adjacent surfaces and 4 1/2 inches from the floor (See Figure 5). However, Cadet RECOMMENDS 12 inches from all adjacent surfaces and 12 inches above the floor for longer and cleaner performance. Heaters must be spaced at least 3 feet apart.

Review the wall can label for correct direction (as noted by the UP arrows) before mounting the wall can in the opening. In the VERTICAL mounting position the elements of the heater assembly will be at the top, in the HORIZONTAL mounting position the elements of the heater assembly will be to the left.

Model CS: Keeping front of wall can flush with finished surface (See Figure 1), secure the wall can to the stud with 2 or more screws (not included) through holes provided in wall can. As an option, the rubber shim provided may be attached to side of wall can to square the wall can to the stud (See Figure 2).

Model CST: Keeping front of wall can flush with finished surface (See Figure 1), secure the wall can to studs on both sides with at least 4 screws (not included) through holes provided in the wall can.

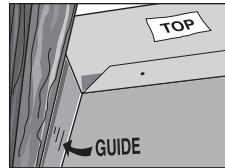


Figure 1
Face of wall can must extend 1/2 inch or 5/8 inch from face of stud to allow for thickness of sheetrock.

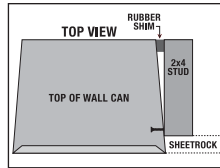


Figure 2
Attach wall can to stud with screws. (Model CS shown)

STEP 2 Route Supply Wires

Route supply wire from circuit breaker to thermostat to wall can. For models with built-in thermostat, route supply wire from circuit breaker to wall can. Remove a knockout and attach the supply wire with a strain relief connector leaving a minimum of 6 inches wire lead for later use. Connect supply ground wire to grounding screw in wall can (See Figure 3). Proceed to PART TWO.

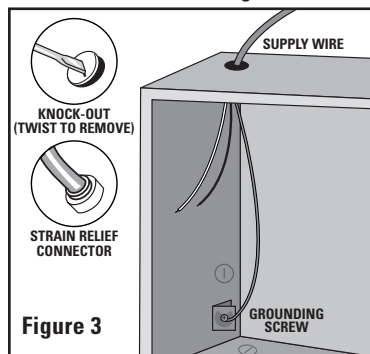


Figure 3

How do I install in an existing wall?

STEP 1 Cut Hole In Wall

Model CS: Cut a hole 8 inches wide by 10 1/4 inches high next to wall stud. The CS Series REQUIRES A MINIMUM distance of 6 inches from adjacent surfaces and 4 1/2 inches from the floor. However, Cadet RECOMMENDS 12 inches from all adjacent surfaces and 12 inches from the floor (See Figure 4).

Model CST: Cut a hole 14 5/8 inches wide by 10 inches high next to wall stud. The CST Series REQUIRES A MINIMUM distance of 6 inches from adjacent surfaces and 4 1/2 inches from the floor. However, Cadet RECOMMENDS 12 inches from all adjacent surfaces and 12 inches from the floor (See Figure 5).

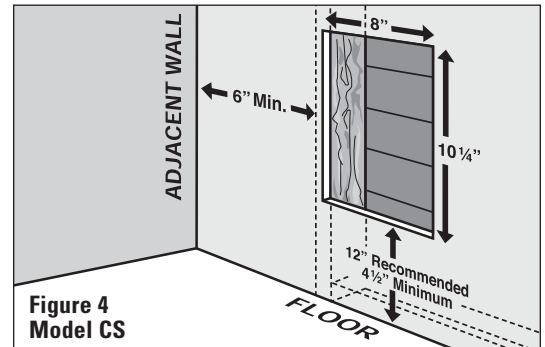


Figure 4 Model CS

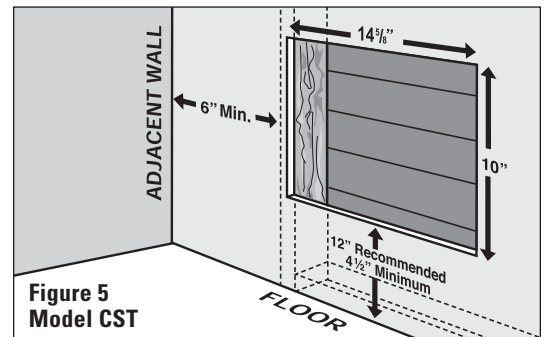


Figure 5 Model CST

STEP 2 Route Supply Wires

Route supply wire from circuit breaker to thermostat to wall can. For models with built-in thermostat, route supply wire from circuit breaker to wall can. Remove a knockout and attach the supply wire with a strain relief connector leaving a minimum of 6 inches wire lead for later use (See Figure 3). Connect supply ground wire to grounding screw in wall can.

STEP 3 Mount Wall Can

Review the wall can label for correct direction (as noted by the UP arrows) before mounting the wall can in the opening. In the VERTICAL mounting position the elements of the heater assembly will be at the top, in the HORIZONTAL mounting position the elements of the heater assembly will be to the left.

Insert wall can into opening. Keeping wall can flush with finished surface, secure the Model CS wall can to the stud with 2 or more screws and Model CST wall can to both wall studs with at least 4 screws. Proceed to PART TWO.

Installation Instructions

Part One

How do I install for ceiling mount? (for models up to 1500 Watts maximum)

STEP 1 Mount the Wall Can

The CS Series REQUIRES A MINIMUM distance of 6 inches from all adjacent surfaces. However, Cadet RECOMMENDS 12 inches from all adjacent surfaces for longer and cleaner performance. **Important: Do not mount the heater in low-density fiberboard or false ceilings.**

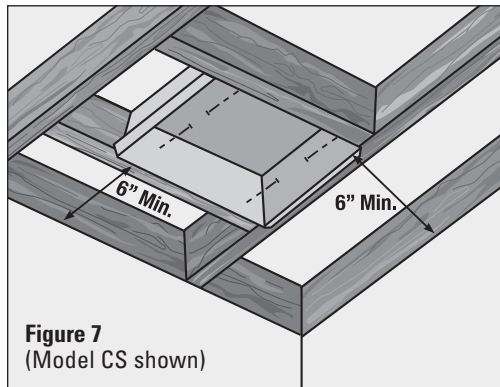
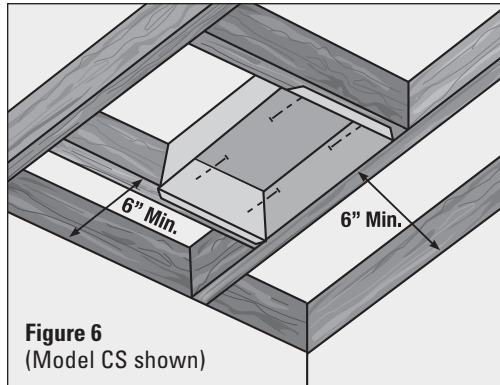
Secure the wall can to studs/rafters on opposite sides (See Figures 6 and 7) with 4 screws (not provided). The face of the wall can must extend $\frac{1}{2}$ or $\frac{5}{8}$ inch from face of rafters to allow for thickness of sheetrock.

Insulating materials may touch the wall can, however, "blown-in" insulation is not recommended as it could be drawn into the heater through gaps behind the grill. For ceiling installation, the wall can must be boxed in with wood on all sides and back to prevent dust from entering the heater through the ceiling cavity.

STEP 2 Route Supply Wires

For ceiling-inset installation, supply connections must use wires suitable for at least 75°C (167°F).

Route supply wire from circuit breaker to thermostat to wall can. **Models with a built-in thermostat are not recommended for ceiling mount.** Remove a knockout in the wall can and attach the supply wire with a strain relief connector leaving 6 inches wire lead for later use (See Figure 3). Connect supply ground wire to grounding screw in wall can. Proceed to Part Two.



Part Two

After you have followed all instructions in PART ONE you are ready to install the heater assembly.

How do I insert the heater assembly into the wall can?

STEP 1 Install Heater Assembly

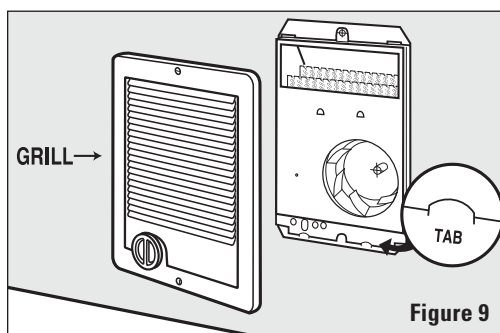
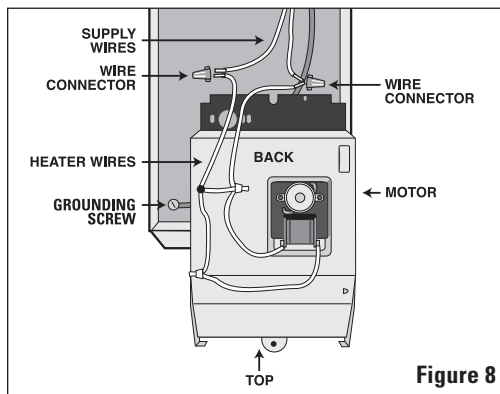
Turn heater assembly upside-down (element down with motor facing you). Connect the supply wires to the heater wires with wire connectors (See Figure 8). Rotate the heater so the element and fan are facing you (with the element 'up'). Insert the bottom edge of the heater assembly into the tabs in the bottom lip of the wall can (See Figure 9).

Important: Push wires into bottom of wall can during insertion. Be sure that supply wires are not caught between motor and wall can. Attach heater assembly at top with screw provided.

STEP 2 Install Grill

Secure grill with the screws provided. If you have a built-in thermostat model, slide thermostat knob onto shaft. Turn power on at the electrical panel board.

Warranty is void if any material is sprayed on the element or blower. Use a paint mask to cover any exposed areas of the heater if walls are to be textured or painted.



⚠ WARNING
Risk of Electrical Shock. Connect grounding lead to grounding screw provided. Keep all foreign objects out of heater.

⚠ WARNING
Risk of Fire. Heater must be kept clear of all obstructions: a minimum of 3 feet in front; 6 inches on both sides and above. Heater must be kept clean of lint, dirt and debris.

⚠ WARNING
Turn the electrical power off at the electrical panel board (circuit breaker or fuse box) and lock or tag the panel board door to prevent someone from turning on power while you are working on the heater. Failure to do so could result in serious electrical shock, burns, or possible death.

Operation & Maintenance

How to operate your heater

1. Once installation is complete and power has been restored, turn the thermostat knob fully clockwise.
2. When the room reaches your comfort level, turn the thermostat knob counterclockwise until the heater turns off. The heater will automatically cycle around this preset temperature.
3. To reduce the room temperature, turn the knob counterclockwise. To increase the room temperature, turn the knob clockwise.

Maintenance

As needed, or every six months minimum.

1. **⚠ WARNING! Before removing grill, turn the electrical power off at the electrical panel board (circuit breaker or fuse box). Lock or tag the panel board door to prevent someone from accidentally turning the power on while you are working on the heater. Failure to do so could result in serious electrical shock, burns, or possible death.**
2. It is important that you verify power has been turned off and no power is going to the heater before proceeding. Circuit breakers are often not marked correctly and turning the wrong breaker off could mean electricity is flowing to the heater, even if the heater does not appear to be working. If you are uncomfortable working with electrical appliances, unable to follow these guidelines, or do not have the necessary equipment, consult a qualified electrician.
3. Once you verify the power has been turned off correctly, proceed to the next step.
4. Remove screws and take off grill.
5. Wash grill with hot soapy water and dry immediately.
6. While holding fan (to avoid damage or bending), use a hair dryer or vacuum on blow cycle to blow debris through the top element (do not touch element).
7. Vacuum fan area without touching the elements.
8. Replace grill and secure with screws.
9. Turn thermostat to desired setting.
10. Turn power back on at the electrical panel board.

About the Heater Temperature-Limiting Controls

The heater is protected by two temperature-limiting controls (for Model CST, four controls are used). Both controls are integral parts of the element assembly. The first is a manual power reset limit control, designed to open the heater circuit when excessive operating temperatures are detected. The problem must be assessed and the limit must be reset to resume operation.

Further protection is provided by a secondary over-temperature fuse, which will open the heater circuit in severe over-temperature conditions, or in the event of component failure. If this occurs, the heater must be repaired or replaced.

RESETTING THE MANUAL POWER RESET LIMIT CONTROL

If the manual power reset limit has opened the heater circuit due to excessive operating temperatures, the heater will not work until it is reset. This can be done at the thermostat or the circuit breaker controlling the heater.

To Reset Heater at the Thermostat

1. Lower the temperature on the thermostat below room temperature.
2. Allow the unit to cool for at least 10 minutes.
3. Resolve the problem causing the limit to trip (typically the heater is blocked or needs cleaning, see Maintenance Instructions).
4. Raise the temperature on the thermostat back above room temperature. The heater should come back on.
5. The heater is now functional and the thermostat can be reset to your comfort level.

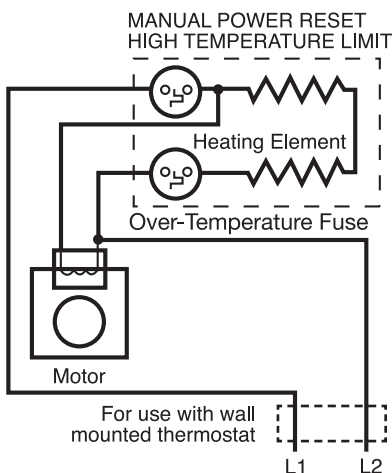
To Reset Heater at the Circuit Breaker (recommended if room temperature is below 45°)

1. Trip the breaker by switching it to the OFF position.
2. Allow the unit to cool for at least 10 minutes.
3. Resolve the problem causing the limit to trip (typically the heater is blocked or needs cleaning, see Maintenance Instructions).
4. Restore power to the heater by switching the breaker to the ON position.
5. Raise the temperature on the thermostat above room temperature. The heater should come back on.
6. The heater is now functional and the thermostat can be reset to your comfort level.

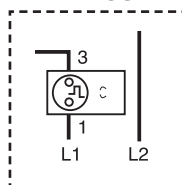
Note that resetting the manual power reset control may not restore heater operation if a severe over-temperature condition has occurred. See the Troubleshooting Guide on next page for more information.

Wiring Diagrams

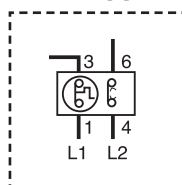
Model CS



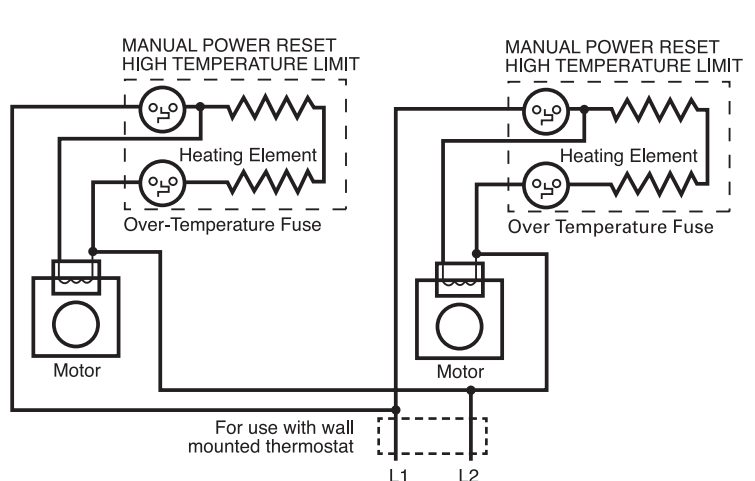
SINGLE POLE THERMOSTAT



DOUBLE POLE THERMOSTAT



Model CST



Troubleshooting Chart

CONSULT LOCAL ELECTRICAL CODES TO DETERMINE WHAT WORK MUST BE PERFORMED BY QUALIFIED ELECTRICAL SERVICE PERSONNEL.

Symptom	Problem	Solution
Breaker trips immediately upon energizing heater.	<ol style="list-style-type: none"> 1. Incorrect supply voltage. 2. Overloaded circuit. 3. A short circuit exists in the supply or heater wiring. 4. Defective circuit breaker. 	<ol style="list-style-type: none"> 1. Verify that supply voltage matches the heater rating. 2. The total amperage of all heaters on a branch circuit must not be more than 80% of the amperage rating of the circuit breaker and supply wire ratings. Use a lower wattage heater, or reduce the number of heaters on the circuit. 3. Shorted supply or heater wires may be accompanied by severe sparking. Inspect all supply and heater wiring insulation for damage. Do not reset the circuit breaker until all electrical shorts have been repaired. 4. Replace the circuit breaker.
Heater fan operates, but does not discharge warm air.	<ol style="list-style-type: none"> 1. Insufficient element temperature. 2. Incorrect supply voltage. 3. Element has failed. 4. (Model CST only) One of the heater units over temperature controls must be reset. 	<ol style="list-style-type: none"> 1. Allow a few moments for element to reach operating temperature. 2. Verify that supply voltage matches the heater rating. 3. Replace element. 4. CST models have two heating units with independent over-temperature controls. One of the high-temperature manual power reset controls may trip and cut power to one of the heating units, while the other remains running, resulting in only half output. Reset the heater unit (see "Operation & Maintenance" section for "Resetting the Manual Power Reset Limit Control").
Heater will not shut off.	<ol style="list-style-type: none"> 1. Heat loss from room is greater than heater capacity. 2. Defective thermostat. 3. Thermostat wired incorrectly to heater. 	<ol style="list-style-type: none"> 1. Close doors and windows. Provide additional insulation, or install a higher wattage heater or multiple heaters if necessary. (If your circuit is rated for more capacity.) 2. Adjust thermostat to its lowest setting. If heater continues to run (allow two minutes for the thermostat to respond), and room temperature is greater than 50°; replace the thermostat. 3. Refer to thermostat documentation and correct wiring.
Heater discharges smoke or emits a burnt odor.	<ol style="list-style-type: none"> 1. Dust, lint or other matter has accumulated inside heater. 	<ol style="list-style-type: none"> 1. Clean heater (see "Operation & Maintenance" section for instructions).
Element heats for a moment without the fan turning, then immediately stops heating.	<ol style="list-style-type: none"> 1. Defective motor or internal connection. 2. Fan or motor jammed. 	<ol style="list-style-type: none"> 1. Heater or fan motor requires replacement. 2. Remove obstruction and follow instructions in the "Operation & Maintenance" section for "Resetting the Manual Power Reset Limit Control." Test heater operation. If heater does not run, heater requires repair or replacement.
Heater does not run.	<ol style="list-style-type: none"> 1. Thermostat set too low. 2. Heater has tripped the power reset high-temperature control. 3. Heater has tripped the secondary over-temperature fuse. 4. Power not on at the circuit breaker. 5. Broken or poorly connected wire(s) to heater. 6. Defective thermostat. 	<ol style="list-style-type: none"> 1. Adjust thermostat to a higher temperature until heater operates (see Problem #6 if the problem persists). 2. Follow instructions in the "Operation & Maintenance" section for "Resetting the Manual Power Reset Limit Control." If room temperature is below 45°, see "Reset Heater at the Circuit Breaker" instructions. 3. A severe over-temperature condition has occurred. Repair or replace heater. 4. Turn on the correct circuit breaker in the main panel. 5. Turn off power at circuit breaker. Check supply wire continuity and proper connection to heater wires. 6. The entire heater, or any of its components may be checked for continuity to determine the cause of any problems. Repair or replace the heater.

Warranty

Maintenance

For more effective and safer operation and to prolong the life of the heater, read the Owner's Guide and follow the maintenance instructions included with each heater. Failure to properly maintain the heater will void any warranty and may cause the heater to function improperly. Warranties are non transferable and apply to original consumer only. Warranty terms are set out below.

LIMITED TWO-YEAR WARRANTY: Cadet will repair or replace any Com-Pak Plus (CS), Com-Pak Twin Plus (CST), series element or motor found to be defective within two years after the date of purchase.

These warranties do not apply:

1. Damage occurs to the product through improper installation or incorrect supply voltage;
2. Damage occurs to the product through improper maintenance, misuse, abuse, accident, or alteration;
3. The product is serviced by anyone other than Cadet;
4. If the date of manufacture of the product cannot be determined;
5. If the product is damaged during shipping through no fault of Cadet.
6. CADET'S WARRANTY IS LIMITED TO REPAIR OR REPLACEMENT AS SET OUT HEREIN. CADET SHALL NOT BE LIABLE FOR DAMAGES SUCH AS PROPERTY DAMAGE OR FOR CONSEQUENTIAL DAMAGES AND/OR INCIDENTAL EXPENSES RESULTING FROM BREACH OF THESE WRITTEN WARRANTIES OR ANY EXPRESS OR IMPLIED WARRANTY.

7. IN THE EVENT CADET ELECTS TO REPLACE ANY PART OF YOUR CADET PRODUCT, THE REPLACEMENT PARTS ARE SUBJECT TO THE SAME WARRANTIES AS THE PRODUCT. THE INSTALLATION OF REPLACEMENT PARTS DOES NOT MODIFY OR EXTEND THE UNDERLYING WARRANTIES. REPLACEMENT OR REPAIR OF ANY CADET PRODUCT OR PART DOES NOT CREATE ANY NEW WARRANTIES.

8. The warranties give you specific legal rights, and you may also have other rights which vary from state to state. Cadet neither assumes, nor authorizes anyone to assume for it, any other obligation or liability in connection with its products other than as set out herein.

If you believe your Cadet product is defective, please contact Cadet Manufacturing Co. at 360-693-2505, during the warranty period, for instructions on how to have the repair or replacement processed. Warranty claims made after the warranty period has expired will be denied. Products returned without authorization will be refused.

Parts and Service

Visit <http://support.cadetco.com> for information on where to obtain parts and service.



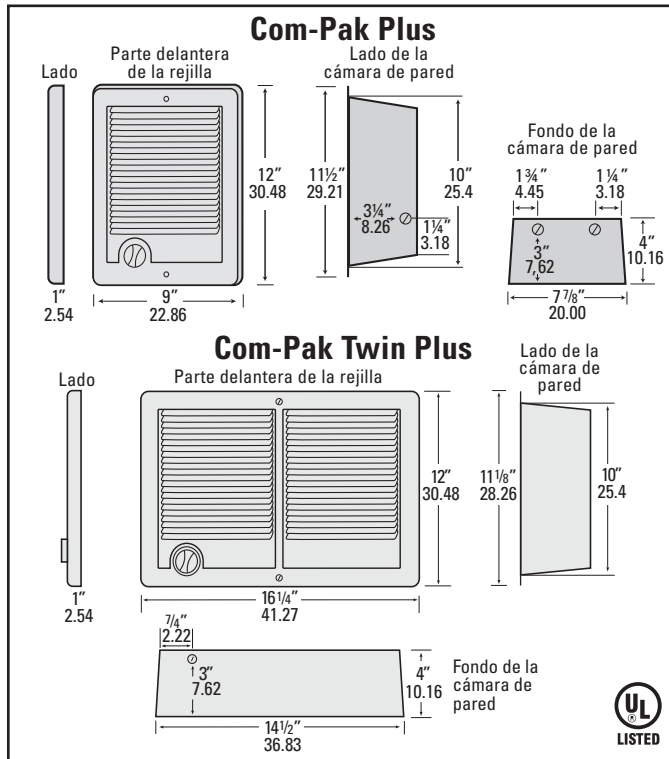
Reduce-Reuse-Recycle

This product is made primarily of recyclable materials. You can reduce your carbon footprint by recycling this product at the end of its useful life. Contact your local recycling support center for further recycling instructions.



The Com-Pak Plus

MANUAL PARA EL PROPIETARIO DEL MODELO CS



HERRAMIENTAS NECESARIAS:

- Destornillador Phillips
- Destornillador plano
- Pelacables
- Cuchillo multiuso
- (4) tornillos de 1/2" para madera
- Conectores de alambre aislados
- (1) conector de alivio de tensión

Características y Beneficios

NUEVAS protecciones térmicas primarias y secundarias

- Resistente reglaje eléctrico manual de alta temperatura para servicio pesado
- Fusible térmico de sobret temperatura de operación única
- Elemento de nicromo envuelto en aislantes de mica para brindar durabilidad
- Proceso de pintado con cobertura pulverizada que elimina los bordes filosos cortantes
- Garantía extendida de dos años
- Cámara de pared diseñada para facilitar la instalación
- Probado en fábrica

MODELOS

Com-Pak Plus (modelo CS)

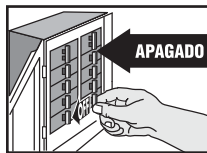
CS051	* CS051T	CS052	* CS052T
CS058	* CS058T	CS072	* CS072T
CS078	* CS078T	CS101	* CS101T
CS102	* CS102T	CS118	* CS118T
CS122	* CS122T	CS151	* CS151T
CS152	* CS152T	CS158	* CS158T
CS202	* CS202T	CS208	* CS208T

Com-Pak Twin Plus (modelo CST)

CST102	CST152	CST252	* CST252T
CST302	* CST302T	CST308	* CST308T
CST402	* CST402T	CST408	* CST408T

*Termostato estándar incorporado de un solo polo y sin posición de apagado (OFF)

INSTRUCCIONES IMPORTANTES



⚠ ADVERTENCIA

Desconecte la electricidad en el tablero del panel eléctrico (caja de cortacircuitos o fusibles) y trabe o coloque un cartel en la puerta del tablero del panel para evitar que alguien vuelva a conectar la energía mientras se esté trabajando en el calentador. De lo contrario podrían producirse graves golpes eléctricos, quemaduras e incluso la muerte.

1. Lea todas las instrucciones antes de usar este calentador.
2. Lea todas las etiquetas que contengan información. **Verifique que todos los cables de suministro eléctrico sean del mismo voltaje que el calentador.**
3. Todo trabajo y materiales eléctricos deben cumplir con el Código Eléctrico Nacional ("NEC", por su sigla en inglés), con la Ley de Seguridad y Salud Ocupacional ("OSHA", por su sigla en inglés) y con todos los códigos estatales y locales.
4. Conecte el tornillo de puesta a tierra que viene en la cámara de pared al cable de conexión a tierra del suministro.
5. Si se debe instalar un nuevo circuito o se necesita información adicional sobre el cableado, consulte a un electricista calificado.
6. Evite que los cables de suministro eléctrico se retuerzan o entren en contacto con objetos afilados, aceite, grasa, superficies calientes o sustancias químicas.
7. **⚠ ADVERTENCIA**
Podría producirse recalentamiento o un incendio. NO instale el calentador en el suelo, detrás de puertas ni a la intemperie.

8. **⚠ ADVERTENCIA**

Podrían producirse explosiones o incendios. El calentador está caliente y contiene piezas que producen arcos voltaicos o chispas. No lo instale en áreas donde exista la presencia de vapores, gases o líquidos combustibles o exceso de pelusas o polvo.

9. **⚠ ADVERTENCIA**

Riesgo de quemaduras. Este calentador se calienta mucho cuando está en uso. Para evitar quemaduras, no lo toque con su piel descubierta. Tenga mucho cuidado cuando use el calentador en o cerca de niños o de personas inválidas, y cada vez que lo deje funcionando sin vigilancia.

10. **⚠ ADVERTENCIA**

Riesgo de electrocución. Evite que entren objetos extraños al calentador. No lo opere después de alguna avería, o si se ha caído o sufrido algún tipo de daño.

11. **⚠ ADVERTENCIA**

Riesgo de incendio. No bloquee el calentador. El calentador debe mantenerse sin obstrucciones: un mínimo de 3 pies por delante, 6 pulgadas por encima y en cada costado. Los calentadores deben mantenerse sin pelusas, suciedad ni residuos excesivos. (Consulte las instrucciones de mantenimiento).

12. Use este calentador sólo como se describe en este manual. Todo otro uso no recomendado por el fabricante puede causar incendios, descargas eléctricas o lesiones personales.

CONSERVE ESTAS INSTRUCCIONES

LEA TODAS LAS INSTRUCCIONES Y LA INFORMACIÓN DE SEGURIDAD

¡IMPORTANTE! Es extremadamente importante verificar que los cables de suministro eléctrico sean del mismo voltaje que el calentador (es decir, un calentador de 120 voltios con un suministro de energía de 120 voltios y un calentador de 240 voltios con un suministro de energía de 240 voltios). Si va a reemplazar un calentador existente, revise las etiquetas del calentador antiguo y sustitúyalo por otro del mismo voltaje. Si se conecta un calentador de 240 voltios a un suministro de energía de 120 voltios, se reducirá drásticamente el rendimiento del calentador. Si se conecta un calentador de 120 voltios a un suministro de energía de 240 voltios, se destruirá el calentador. Si se conecta el calentador a un suministro de energía incompatible, se anulará la garantía.

Instrucciones para la instalación

Parte Uno

UBICACIÓN: Lea las INSTRUCCIONES IMPORTANTES para conocer los requisitos de seguridad. Instale la unidad Com-Pak Plus (modelo CS) ya sea en forma vertical (recomendada) u horizontal. El modelo CS se puede instalar en el cielo raso (para los modelos de hasta 1500W máximo. Consulte las instrucciones de instalación en cielo raso). La unidad Com-Pak Twin Plus (modelo CST) se debe instalar con las flechas en la cámara de pared apuntando hacia arriba.

TERMOSTATO: Se requiere un termostato mural para los modelos que no lo traigan incorporado. Se recomienda usar un termostato electrónico Cadet para una comodidad y un control óptimos.

¿Cómo se instala el calentador en paredes de construcciones nuevas?

PASO 1 Montaje de la cámara de pared

La serie CS requiere una distancia MÍNIMA de 6 pulgadas desde las superficies adyacentes y de 4 ½ pulgadas desde el piso (consulte la figura 4); la serie CST REQUIERE UNA DISTANCIA MÍNIMA de 6 pulgadas desde las superficies adyacentes y de 4 ½ pulgadas desde el piso (consulte la figura 5). Sin embargo, Cadet recomienda 12 pulgadas de distancia desde todas las superficies adyacentes y 12 pulgadas por sobre el piso para una vida útil más larga y un funcionamiento más limpio. Si se instalan varios calentadores, deje al menos tres pies entre ellos.

Revise la etiqueta de la cámara de pared para determinar la dirección correcta (tal como lo indican las flechas ascendentes "UP") antes de montar la cámara en la abertura. En la posición de montaje VERTICAL los elementos del conjunto del calentador quedan en la parte superior, mientras que en la posición de montaje HORIZONTAL, dichos elementos quedan a la izquierda.

Modelo CS: Manteniendo la parte delantera de la cámara a ras con la superficie acabada (consulte la figura 1), fije la cámara de pared al puntal con 2 o más tornillos (no se incluyen) mediante los orificios que vienen en la cámara. Como alternativa, se puede añadir la cuña de caucho suministrada al costado de la cámara de pared para cuadrarla con el puntal (consulte la figura 2).

Modelo CST: Manteniendo la parte delantera de la cámara a ras con la superficie acabada (consulte la figura 1), fije la cámara de pared a los puntales con al menos 4 tornillos (no se incluyen) mediante los orificios que vienen en la cámara.

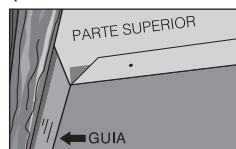


Figura 1

La cara de la cámara de pared debe sobresalir entre ½ y 5/8 de pulgada de la cara del puntal a fin de dejar espacio para la lámina de yeso.

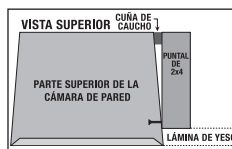


Figura 2

Conecte la cámara de pared al puntal mediante los tornillos. (Aparece el modelo CS)

PASO 2 Instalación de los cables de suministro

Dirija el cable de suministro desde el cortacircuito al termostato hasta la cámara de pared. Para los modelos con termostato incorporado, dirija el cable de suministro desde el cortacircuito hasta la cámara de pared. Quite uno de los destapaderos y coloque el cable de suministro mediante un conector de alivio de tensión dejando un mínimo de 6 pulgadas de cable de conexión para utilizarlo más adelante. Empalme el cable de conexión a tierra del suministro al tornillo de puesta a tierra situado en la cámara de pared (vea la figura 3). Continúe con la PARTE DOS.

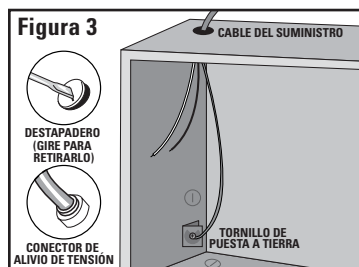


Figura 3

¿Cómo se instala el calentador en una pared existente?

PASO 1 Corte un orificio en la pared

Modelo CS: Corte un orificio de 8 pulgadas de ancho por 10 ¼ de alto al lado del puntal de la pared. La serie CS requiere una distancia MÍNIMA de 6 pulgadas desde las superficies adyacentes y 4 ½ pulgadas desde el piso. Sin embargo, Cadet recomienda 12 pulgadas desde todas las superficies adyacentes y 12 pulgadas desde el piso (consulte la figura 4).

Modelo CST: Corte un orificio de 14 5/8 pulgadas de ancho por 10 de alto al lado del puntal de la pared. La serie CST requiere una distancia MÍNIMA de 6 pulgadas desde las superficies adyacentes y 4 ½ pulgadas desde el piso. Sin embargo, Cadet recomienda 12 pulgadas desde todas las superficies adyacentes y 12 pulgadas desde el piso (consulte la figura 5).

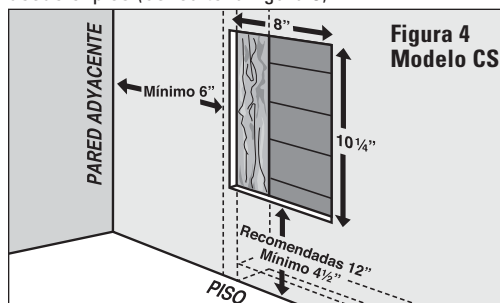


Figura 4
Modelo CS

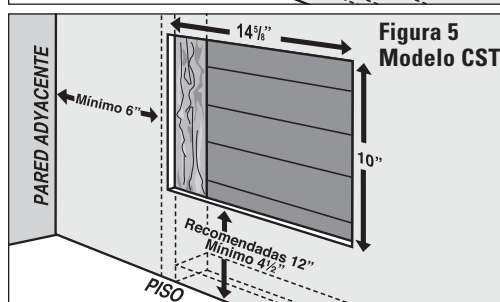


Figura 5
Modelo CST

PASO 2 Instalación de los cables de suministro

Dirija el cable de suministro desde el cortacircuito al termostato hasta la cámara de pared. Para los modelos con termostato incorporado, dirija el alambre de suministro desde el cortacircuito hasta la cámara de pared. Quite uno de los destapaderos y coloque el cable de suministro mediante un conector de alivio de tensión dejando un mínimo de 6 pulgadas de cable de conexión para utilizarlo más adelante (consulte la figura 3). Empalme el cable de conexión a tierra del suministro al tornillo de puesta a tierra situado en la cámara de pared.

PASO 3 Montaje de la cámara de pared

Revise la etiqueta de la cámara de pared para determinar la dirección correcta (tal como lo indican las flechas ascendentes "UP") antes de montar la cámara en la abertura. En la posición de montaje VERTICAL los elementos del conjunto del calentador quedan en la parte superior, mientras que en la posición de montaje HORIZONTAL, dichos elementos quedan a la izquierda.

Coloque la cámara de pared en la abertura. Manteniendo la cámara a ras con la superficie acabada fije la cámara de pared modelo CS al puntal con 2 o más tornillos (no se incluyen) y el modelo CST a ambos puntales con por lo menos 4 tornillos. Continúe con la PARTE DOS.

Instrucciones para la instalación

Parte Uno

¿Cómo se instala el calentador con montaje en cielo raso? (para modelos de hasta 1500 vatios máximo)

PASO 1 Montaje de la cámara de pared

La serie CS REQUIERE UNA distancia MÍNIMA de 6 pulgadas desde todas las superficies adyacentes. Sin embargo, Cadet RECOMIENDA 12 pulgadas desde todas las superficies adyacentes para lograr un rendimiento más prolongado y limpio. **Importante: No monte el calentador en cielos rasos falsos ni de fibra de baja densidad.**

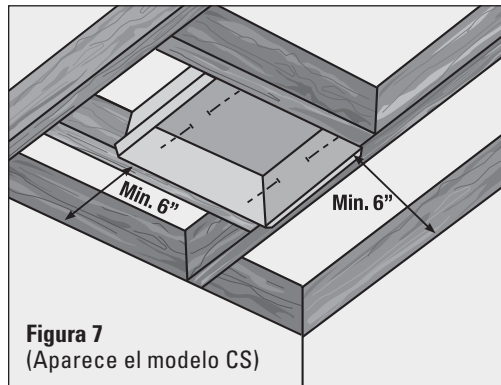
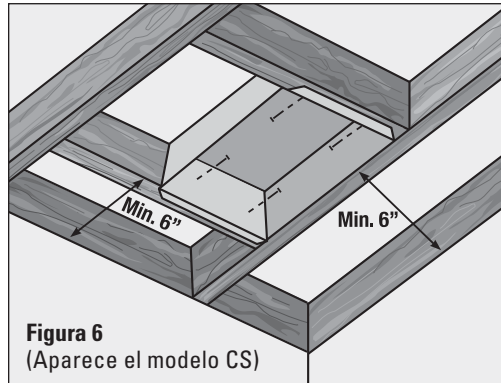
Asegure la cámara de pared a puntales/vigas en lados contrarios (consulte las figuras 6 y 7) con 4 tornillos (no suministrados). La cara de la cámara de pared debe sobresalir entre $\frac{1}{2}$ y $\frac{5}{8}$ de pulgada de la cara de las vigas a fin de dejar espacio para la lámina de yeso.

Los materiales de aislamiento pueden entrar en contacto con la cámara de pared; sin embargo, se recomienda que ello no ocurra en caso del aislamiento insertado "al sople", ya que podría ser atraído hacia el calentador por los orificios detrás de la rejilla. Para la instalación en cielo raso, la cámara de pared se puede encapsular con madera por detrás y por todos los costados para evitar que el polvo entre al calentador por la cavidad del cielo raso.

PASO 2 Instalación de los cables de suministro

Para la instalación en cielo raso, las conexiones de suministro deben usar cables aptos para al menos 75°C (167°F).

Dirija el cable de suministro desde el cortacircuito al termostato y a la cámara de pared. **No se recomienda usar modelos con termostato para el montaje en cielo raso.** Quite uno de los destapaderos en la cámara de pared y coloque el cable de suministro mediante un conector con alivio de tensión dejando 6 pulgadas de cable de conexión para utilizarlo más adelante (consulte la figura 3). Empalme el cable de conexión a tierra del suministro al tornillo de puesta a tierra situado en la cámara de pared. Continúe con la parte dos.



Parte dos

Una vez que ha seguido todas las instrucciones en la PARTE UNO, ya está preparado para instalar el conjunto del calentador.

¿Cómo se coloca la unidad del calentador en la cámara de pared?

PASO 1 Instale la unidad del calentador

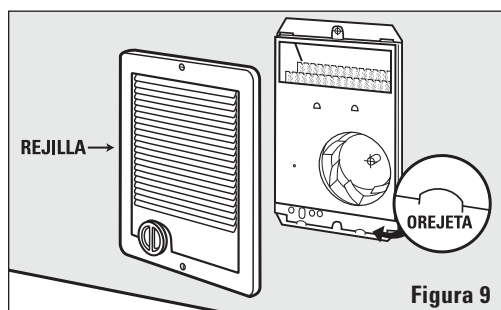
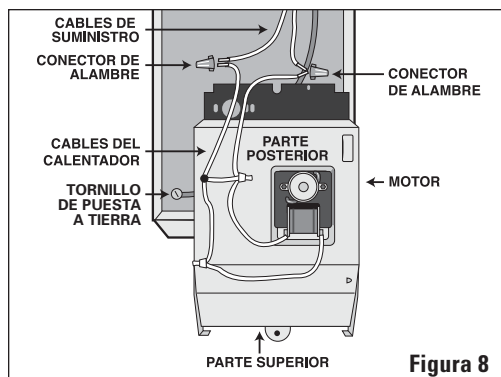
Voltee la unidad del calentador (dejando en frente suyo el elemento situado bajo el motor). Empalme los cables de suministro con los del calentador mediante conectores de alambre (consulte la figura 8). Gire el calentador de modo que el elemento y el ventilador queden delante suyo (con el elemento hacia arriba). Inserte el borde inferior de la unidad del calentador en las orejetas del reborde inferior en la cámara de pared (consulte la figura 9).

Importante: Presione los cables hasta el fondo de la cámara de pared durante la inserción. Cerciórese de que los cables de suministro no queden atrapados entre el motor y la cámara de pared. Conecte el conjunto del calentador en la parte superior con el tornillo que se proporciona.

PASO 2 Instale la rejilla

Fije la rejilla con los tornillos suministrados. Si tiene un modelo con termostato incorporado, deslice la perilla del termostato hacia el eje. Conecte la alimentación en el tablero del panel eléctrico.

La garantía pierde su validez si se rocía algún producto en el elemento o en el soplador. Cubra con cinta para pintura todas las áreas expuestas del calentador si las paredes se pintarán o se les dará textura.



⚠ ADVERTENCIA

Riesgo de electrocución. Conecte el conductor a tierra al tornillo de puesta a tierra suministrado. Evite que entren objetos extraños al calentador.

⚠ ADVERTENCIA

Riesgo de incendio. El calentador debe mantenerse sin obstrucciones: un mínimo de 3 pies por delante, 6 pulgadas en cada costado y por encima. Los calentadores deben mantenerse sin pelusas, suciedad ni residuos.

⚠ ADVERTENCIA

Desconecte la electricidad en el tablero del panel eléctrico (caja de cortacircuitos o fusibles) y trabe o coloque un cartel en la puerta del tablero del panel para evitar que alguien vuelva a conectar la energía mientras se esté trabajando en el calentador. De lo contrario podrían producirse graves golpes eléctricos, quemaduras e incluso la muerte.

Funcionamiento y mantenimiento

Cómo hacer funcionar el calentador

1. Una vez que se haya realizado la instalación y reestablecido la energía eléctrica, gire totalmente la perilla del termostato en el sentido de las manecillas del reloj.
2. Cuando la habitación haya alcanzado un nivel cómodo, gire la perilla del termostato en sentido contrario a las manecillas del reloj hasta que el calentador se apague. El calentador se encenderá y apagará automáticamente según esta temperatura preestablecida.
3. Para reducir la temperatura del ambiente, gire la perilla en sentido contrario a las manecillas del reloj. Gírela en sentido de las manecillas del reloj para aumentarla.

Mantenimiento

Según sea necesario, o cada seis meses como mínimo.

1. **⚠ ¡ADVERTENCIA! Antes de quitar la rejilla, desconecte la electricidad en el tablero del panel eléctrico (cortacircuito o caja de fusibles). Trabe o coloque un cartel en la puerta del tablero del panel para evitar que alguien conecte accidentalmente la energía mientras se esté trabajando en el calentador. De lo contrario podrían producirse graves golpes eléctricos, quemaduras e incluso la muerte.**
2. Antes de proceder, es importante que usted verifique que se haya desconectado la alimentación y que el calentador no reciba energía. Los cortacircuitos no suelen estar correctamente marcados, y apagar el incorrecto podría significar que sigue fluyendo electricidad al calentador, aun cuando éste parezca no estar funcionando. Si no se siente cómodo al trabajar con artefactos eléctricos, no está en condiciones de acatar estas pautas o no cuenta con los equipos necesarios, solicite los servicios de un técnico electricista calificado.
3. Una vez que verifique que se ha apagado la alimentación correctamente, prosiga con el paso siguiente.
4. Retire los tornillos y extraiga la rejilla.
5. Lave la rejilla con agua caliente y jabón, y séquela de inmediato.
6. Mientras sujeta el ventilador (para evitar que se dañe o tuerza), utilice una secadora o una aspiradora en el ciclo de soplado para quitar la suciedad en el elemento superior (sin tocarlo).
7. aspire el área del ventilador sin tocar los elementos.
8. Vuelva a instalar la rejilla y fíjela con los tornillos.
9. Coloque el termostato en la graduación deseada.
10. Vuelva a conectar la alimentación en el tablero del panel eléctrico.

Acerca de los controles limitadores de la temperatura del calentador

El calentador está protegido por dos controles limitadores de temperatura (para el modelo CST, se usan cuatro controles). Ambos controles son parte integral del conjunto del elemento. El primero es un control limitador de reglaje eléctrico manual, diseñado para abrir el circuito del calentador cuando se detectan temperaturas de funcionamiento excesivas. El problema debe evaluarse y el límite debe reestablecerse para que el calentador vuelva a funcionar.

Se brinda protección adicional mediante un fusible secundario de sobretemperatura, el cual abrirá el circuito del calentador en condiciones graves de sobretemperatura, o bien en caso de falla de algún componente. Si ello ocurre, el calentador se debe reparar o reemplazar.

COMO RESTABLECER EL CONTROL DE LIMITE DE REGLAJE ELECTRICO MANUAL

Si el control limitador de reglaje eléctrico manual ha abierto el circuito del calentador debido a temperaturas de funcionamiento excesivas, el calentador no funcionará sino hasta que se haya restablecido. Ello puede hacerse en el termostato o en el cortacircuito que controla el calentador.

Para reestablecer el calentador en el termostato

1. Reduzca la temperatura en el termostato por debajo de la temperatura ambiente.
2. Deje que la unidad se enfríe durante al menos 10 minutos.
3. Resuelva el problema que causa la disyunción del limitador (generalmente el calentador está bloqueado o necesita limpieza, consulte las instrucciones de mantenimiento).
4. Aumente la temperatura en el termostato por sobre la temperatura ambiente. El calentador debiera encenderse.
5. En este instante el calentador funciona correctamente y el termostato puede volver a fijarse en un nivel cómodo.

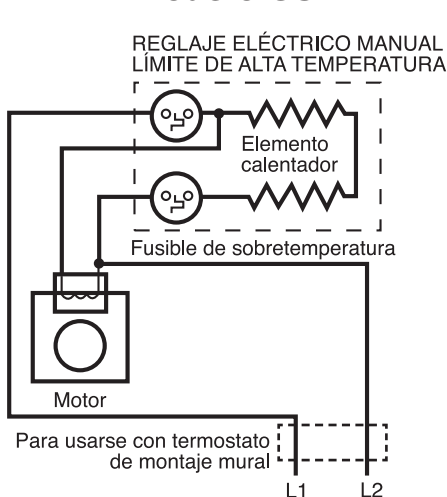
Para reestablecer el calentador en el cortacircuito (se recomienda si la temperatura ambiente es inferior a 45°)

1. Coloque el cortacircuito en la posición de apagado.
2. Deje que la unidad se enfríe durante al menos 10 minutos.
3. Resuelva el problema que causa la disyunción del limitador (generalmente el calentador está bloqueado o necesita limpieza, consulte las instrucciones de mantenimiento).
4. Reestablezca la alimentación colocando el cortacircuito en la posición de encendido.
5. Aumente la temperatura en el termostato por sobre la temperatura ambiente. El calentador debiera encenderse.
6. En este instante el calentador funciona correctamente y el termostato puede volver a fijarse en un nivel cómodo.

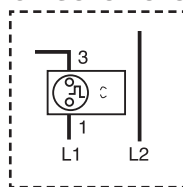
Tenga en cuenta que restablecer el control de reglaje eléctrico manual puede no ser suficiente para restaurar la operación del calentador en caso de que se haya producido una situación de sobretemperatura grave. Consulte la Guía de resolución de problemas en la próxima página para obtener más información al respecto.

Diagramas de cableado

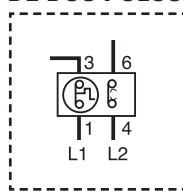
Modelo CS



TERMOSTATO DE UN SOLO POLO



TERMOSTATO DE DOS POLOS



Modelo CST

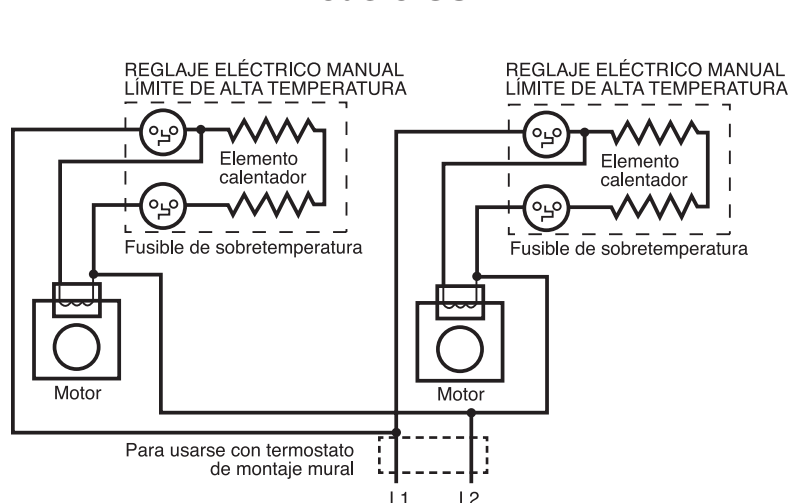


Tabla de resolución de problemas

CONSULTE LOS CÓDIGOS ELÉCTRICOS LOCALES PARA DETERMINAR QUÉ TRABAJOS DEBEN SER REALIZADOS POR PERSONAL DE SERVICIO ELÉCTRICO CALIFICADO.

Síntoma	Problema	Solución
El interruptor se disyunta inmediatamente al encenderse el calentador.	<ol style="list-style-type: none"> 1. Voltaje de suministro incorrecto. 2. Circuito sobrecargado. 3. Hay un cortocircuito en los cables de suministro o del calentador. 4. Cortacircuito defectuoso. 	<ol style="list-style-type: none"> 1. Compruebe que el voltaje de suministro coincida con la calificación del calentador. 2. El amperaje total de todos los calentadores en un circuito de rama no debe sobrepasar el 80% de la calificación de amperaje del cortacircuito y de las calificaciones de los cables de suministro. Utilice un calentador de vatiaje inferior o reduzca la cantidad de calentadores en el circuito. 3. Los cables de suministro o del calentador que presentan cortocircuitos pueden ocasionar chispas peligrosas. Revise el aislamiento de todos los cables de suministro y del calentador para comprobar que no estén dañados. No reestablezca el cortacircuito sino hasta que se hayan reparado todos los cortocircuitos eléctricos. 4. Reemplace el cortacircuito.
El ventilador del calentador funciona pero no envía aire caliente.	<ol style="list-style-type: none"> 1. Temperatura insuficiente del elemento. 2. Voltaje de suministro incorrecto. 3. El elemento ha fallado. 4. (Modelo CST solamente) Se debe reestablecer uno de los controles de sobrettemperatura de las unidades calentadoras. 	<ol style="list-style-type: none"> 1. Espere unos momentos para que el elemento alcance la temperatura de funcionamiento. 2. Compruebe que el voltaje de suministro coincida con la calificación del calentador. 3. Reemplace el elemento. 4. Los modelos CST tienen dos unidades calentadoras con controles de sobrettemperatura independientes. Uno de los controles eléctricos de alta temperatura manuales puede disyuntarse e interrumpir la alimentación a una de las unidades calentadoras mientras el otro permanezca funcionando, reduciendo el rendimiento a la mitad. Restablezca la unidad calentadora (siga las instrucciones de la sección "Funcionamiento y Mantenimiento" para restablecer el control limitador de reglaje eléctrico manual).
El calentador no se apaga.	<ol style="list-style-type: none"> 1. La fuga de calor de la habitación es superior a la capacidad del calentador. 2. Termostato defectuoso. 3. Termostato cableado al calentador de forma incorrecta. 	<ol style="list-style-type: none"> 1. Cierre las puertas y ventanas. Coloque aislamiento adicional, o instale un calentador de mayor vatiaje o múltiples calentadores si fuera necesario. (Si su circuito tiene mayor capacidad). 2. Ajuste el termostato a la graduación más baja. Si el calentador continúa funcionando (espere un par de minutos para que el termostato tenga tiempo de responder al ajuste) y la temperatura del ambiente es superior a 50 grados, reemplace el termostato. 3. Consulte la documentación del termostato y cableado correcto.
El calentador emite humo o un olor a quemado.	<ol style="list-style-type: none"> 1. Se han acumulado polvo, pelusas u otros materiales dentro del calentador. 	<ol style="list-style-type: none"> 1. Limpie el calentador (consulte las instrucciones en la sección "Funcionamiento y Mantenimiento").
El elemento calienta por un momento sin que gire el ventilador y luego deja de calentar.	<ol style="list-style-type: none"> 1. Motor o conexión interna defectuosos. 2. Ventilador o motor trabado. 	<ol style="list-style-type: none"> 1. Debe reemplazarse el calentador o el motor del ventilador. 2. Retire la obstrucción y siga las instrucciones en la sección "Funcionamiento y Mantenimiento" para restablecer el control limitador de reglaje eléctrico manual. Pruebe el funcionamiento del calentador. Si no funciona, repárelo o reemplácelo.
El calentador no funciona.	<ol style="list-style-type: none"> 1. El termostato se ha graduado muy bajo. 2. El calentador ha disyuntado el control eléctrico de alta temperatura. 3. El calentador ha disyuntado el fusible secundario de sobrettemperatura. 4. La energía no está conectada en el cortacircuito. 5. El o los cables que van al calentador están rotos o mal conectados. 6. Termostato defectuoso. 	<ol style="list-style-type: none"> 1. Ajuste el termostato a una temperatura más alta hasta que el calentador funcione (vea el Problema No. 6 si el problema persiste). 2. Siga las instrucciones en la sección "Funcionamiento y Mantenimiento" para restablecer el control limitador de reglaje eléctrico manual. Si la temperatura ambiente es inferior a 45°, consulte las instrucciones "Para restablecer el calentador en el cortacircuito". 3. Se ha producido una situación de sobrettemperatura grave. Repare o reemplace el calentador. 4. Conecte el cortacircuito correcto en el panel principal. 5. Desconecte la energía en el cortacircuito. Revise la continuidad del cable de suministro y la conexión apropiada a los cables del calentador. 6. Se debe revisar la continuidad de todo el calentador, o bien de sus componentes a fin de determinar la causa de los problemas. Repare o reemplace el calentador.

Garantía

Mantenimiento

Para lograr una operación más eficaz y segura y prolongar la vida útil del calentador, lea la Guía del propietario y siga las instrucciones de mantenimiento incluidas con cada unidad. Si no le da el mantenimiento adecuado al calentador invalidará la garantía y puede hacer que el aparato funcione incorrectamente. Las garantías no son transferibles y rigen sólo para el comprador original. Los términos de la garantía se indican a continuación.

GARANTÍA LIMITADA DE DOS AÑOS: Cadet reparará o reemplazará todo elemento o motor de la serie Com-Pak Plus (CS) o Com-Pak Twin Plus (CST) que se determine que está averiado en un plazo de dos años a partir de la fecha de compra.

Estas garantías no son pertinentes para:

1. Daños que sufra el producto por instalación o voltaje de suministro incorrectos;
2. Daños que sufra el producto por mantenimiento incorrecto, uso indebido, abuso, accidente o alteraciones;
3. Servicio que se le haya dado al producto por parte de personas o entidades ajenas a Cadet.
4. Casos en que no se pueda determinar la fecha de fabricación del producto;
5. Casos en que el producto resulte dañado durante el embarque por causas ajenas a Cadet.
6. LA GARANTÍA DE CADET SE LIMITA A LA REPARACIÓN O REEMPLAZO, TAL COMO SE ESTABLECE EN ESTE DOCUMENTO. CADET NO SE HACE RESPONSABLE POR DAÑOS A LA PROPIEDAD O DAÑOS CONSECUENTES, COMO TAMPOCO POR GASTOS ACCIDENTALES DEBIDO AL INCUMPLIMIENTO DE ESTAS GARANTÍAS ESCRITAS O DE CUALQUIER GARANTÍA EXPRESA O IMPLÍCITA.

7. EN CASO DE QUE CADET DECIDA REEMPLAZAR ALGUNA PIEZA DEL PRODUCTO CADET, LOS REPUESTOS SE REGISTRAN POR LAS MISMAS GARANTÍAS DEL PRODUCTO. LA INSTALACIÓN O REEMPLAZO DE LOS REPUESTOS NO MODIFICA NI PROLONGA LAS GARANTÍAS VIGENTES. EL REEMPLAZO O REPARACIÓN DE TODO PRODUCTO O PIEZA CADET NO ORIGINA NINGUN TIPO DE NUEVA GARANTÍA.

8. Estas garantías le otorgan derechos legales específicos y es posible que usted tenga otros derechos que varíen de un estado a otro. Cadet no asume ni autoriza a nadie que lo haga en su nombre, ninguna otra obligación o responsabilidad en relación con sus productos que no sean las que se establecen en este documento.

Si durante el período de garantía usted considera que su producto Cadet presenta defectos, comuníquese con Cadet Manufacturing Co. llamando al 360-693-2505 para obtener instrucciones sobre cómo tramitar la reparación o el reemplazo del producto. Los reclamos de garantía presentados después de la finalización del período no serán acogidos. Los productos que se devuelvan sin autorización serán rechazados.

Repuestos y servicio

En <http://support.cadetco.com> encontrará información sobre dónde obtener repuestos y servicio.



Reduzca-reutilice-recicle

Este producto está hecho principalmente de materiales reciclables. Puede reducir la cantidad de carbono que contribuye al medio ambiente reciclando este producto al término de su vida útil. Comuníquese con su centro local de reciclaje para obtener mayores instrucciones al respecto.