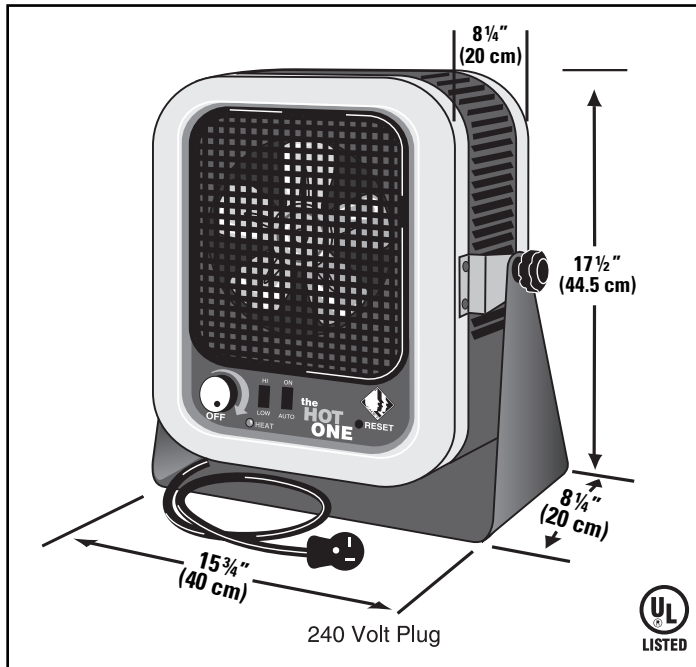




SAFETY & QUALITY

The Hot One®

OWNER'S GUIDE



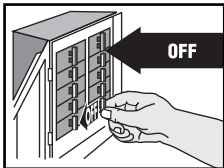
Features & Benefits

- Commercial grade high temperature manual reset
- Fan delay eliminates cold draft on startup and disperses residual heat on shutdown
- Fan only control for cool air circulation
- 6 foot cord with polarized 240 volt plug
- Built-in double pole thermostat
- Bracket for wall mount or floor stand use
- 5 year extended warranty

Models:

RCP402S
RCP502S

IMPORTANT INSTRUCTIONS



⚠ WARNING

Turn the electrical power off at the electrical panel board (circuit breaker or fuse box) and lock or tag the panel board door to prevent someone from turning on power while you are working on the heater. Failure to do so could result in serious electrical shock, burns, or possible death.

1. Read all instructions before using this heater.
2. Do not place heater against paperboard or low-density fiberboard surfaces.
3. Do not use outdoors.
4. This heater is not intended for use in bathrooms, laundry areas and similar indoor locations. Never locate heater where it may fall into a bathtub or other water container.
5. Do not place heater below an electrical convenience receptacle.
6. **Warning. Overheating or fire may occur.** Do not place the heater on the ceiling or behind doors.
7. **Warning. Fire or explosion may occur.** Heater has hot and arcing or sparking parts inside. Do not install heater in any area where combustible vapors, gases, liquids, or excessive lint or dust are present.
8. **⚠ WARNING**
Burn Hazard. This heater is hot when in use. To avoid burns, do not let bare skin touch hot surfaces. Use extreme caution when any heater is used by or near children or invalids and whenever the heater is left operating unattended.
9. **⚠ WARNING**
Risk of electrical shock. Connect to properly grounded outlets only. Keep all foreign objects out of heater. Unplug heater before performing any maintenance or when not in use. To disconnect heater, turn control to "Off", then remove plug from outlet.
10. **⚠ WARNING**
Risk of electrical shock or injury. Do not run cord under carpeting. Do not cover cord with throw rugs, runners, or the like. Arrange cord away from traffic area where it will not cause a tripping hazard. Do not operate heater with a damaged cord or plug, or after heater malfunctions, or has been dropped or damaged in any manner.
11. **⚠ WARNING**
Risk of Fire. Do not block heater. Heater must be kept clear of all obstructions: maintain a 3 foot minimum clearance from front, 6 inches from back and top, and 12 inches from sides. Heaters must be kept clean of excessive lint, dirt and debris. (See Maintenance Instructions)
12. **⚠ WARNING**
Risk of Fire. DO NOT use heater with an extension cord. Plug the heater directly into a 240 volt receptacle.
13. Use this heater only as described in this manual. Any other use not recommended by the manufacturer may cause fire, electrical shock, or injury to persons.

SAVE THESE INSTRUCTIONS

360-693-2505 Fax: 360-694-8668 P.O. Box 1675 Vancouver, WA 98668-1675

**READ ALL
INSTRUCTIONS
AND SAFETY
INFORMATION**

This heater is a major electrical appliance and requires adequate electrical connections for safe use. Plug the heater directly into a 240 volt wall or floor receptacle.

⚠️WARNING!
Risk of fire.
Heater must be kept clear of all obstructions: 3 foot minimum clearance from front, 6 inch from back and top, and 12 inches from sides of the heater.

⚠️WARNING! ⚠️
Risk of electrical shock. Unplug the unit before performing any maintenance on heater. Failure to do so could result in serious injury or death!

Installation Instructions

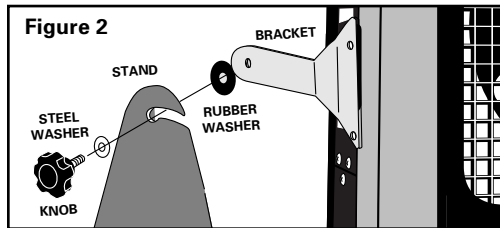
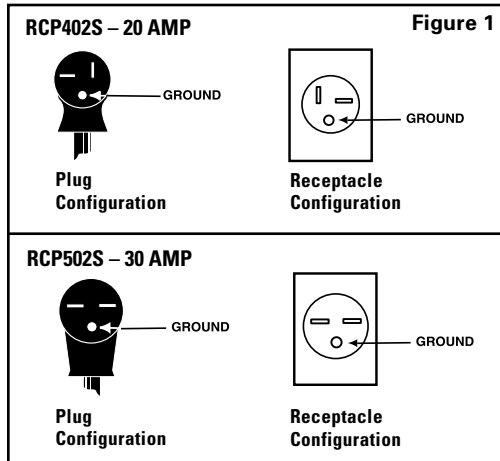
PLACEMENT: The Hot One® may sit on the floor with stand or be mounted to the wall using universal bracket provided. If mounted on the wall, Cadet recommends a 12 inch clearance from the top of the unit to the ceiling. The Hot One is not recommended for ceiling mount or elevations over 7500 feet.

STEP 1 Heater Inspection and Assembly

Thoroughly inspect your heater for any shipping or handling damage and remove any paper or packaging material found around the heater.

STEP 2 Plug and Receptacle Requirements

CAUTION: This is a 240 volt heater and requires a 240 volt receptacle. See plug configurations (Figure 1) below. **Altering the cord in any way will void the warranty!**



STEP 3 Assembly

Heater may sit on a floor surface or be mounted to a wall using the stand provided. The universal stand is assembled as follows:

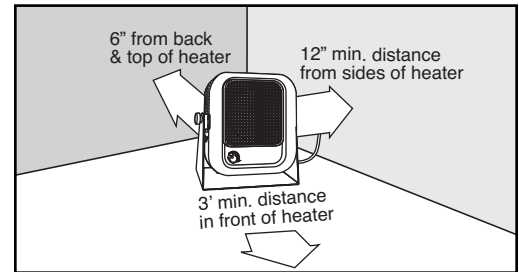
Floor Stand Assembly

1. Place steel washer, then rubber washer on each knob shaft provided.
2. Screw each knob into the bracket found on both sides of the heater, but do not tighten.
3. With heater sitting on a firm surface, slide the stand onto each knob shaft between the steel and rubber washers (See Figure 2).
4. Tighten knobs.

Note: The heater must be operated with the stand attached to the heater.

Wall Mount Assembly

1. Place steel washer, then rubber washer on each knob shaft provided.
2. Screw each knob into the bracket found on both sides of the heater, but do not tighten.
3. Mount stand to wall. The wall and mounting hardware must be of adequate strength to support the heater. Note: A 240-volt receptacle must be within six feet of the heater.
4. Slide the stand onto each knob shaft between the steel and rubber washers (Figure 2).
5. Tighten knobs.



Specifications

MODEL	WATTS(HI/LO)	VOLTS (60 Hz)	BTUs (000)	AMPS	PLUG TYPE
RCP402S	4000 / 2667	240	13,648 / 9,100	16.7 / 11.1	20 Amp
RCP502S	5000 / 3333	240	17,060 / 11,372	20.8 / 13.9	30 Amp

Operation and Maintenance

⚠️WARNING: This heater is a major electrical appliance and requires adequate electrical connections for safe use. Plug the heater directly into a 240 volt wall or floor receptacle.

Plug the electrical cord into a 240 volt receptacle. The plug should fit tightly into the receptacle for a proper electrical connection. Power to the unit is indicated by illumination of the red light.

How To Operate Your Heater

NOTE: Before operating heater, Heater Inspection and Assembly Steps 1 through 3 must be completed:

"AUTO" SETTING

1. Choose the "HI" or "LOW" wattage setting as suggested in the Specifications table (See Above).
2. Set heater to "AUTO" position.
3. Turn the thermostat knob fully clockwise ⤴.
4. When the room reaches your comfort level, turn the thermostat knob counter clockwise ⤵ until you hear a click sound. The heater

will automatically cycle around this preset temperature.

5. To reduce the room temperature, turn the knob counter clockwise ⤵. To increase the room temperature, turn the knob clockwise ⤴.

NOTE:

The Hot One discharges air with a temperature rise of 40°F. In extremely cold circumstances, air emitted from the heater will not feel hot. This is within normal operational limits. As the room temperature rises, the air emitted from the heater will also increase.

IMPORTANT!

The fan operation will be delayed approximately 20 seconds on startup. This allows the element to heat before blowing air, thereby eliminating cold startups. Fan operation will continue for approximately 90 seconds after elements shut off to disperse residual heat.

Continued on next page.

Operation and Maintenance

"ON" SETTING

The fan can be operated continuously when set to the "ON" position. For cooling or air circulation (when no heat is desired), turn the thermostat to the lowest setting possible by rotating the thermostat knob counter clockwise ↺.

NOTE

If the thermostat is turned to a setting above room temperature, the elements will turn on and heat the area until the temperature reaches that set point. Once the elements go off, the fan will continue to run. This cycle will continue.

IMPORTANT:

DO NOT use breaker panel or fuse box or wall thermostat to control outlet plug.

Maintenance

As needed or every six months, minimum

1. Allow the heater to cool, then disconnect the power cord from power supply. To disconnect heater, turn control to "OFF", then remove plug from outlet. **IMPORTANT:** The heater must be unplugged before performing any maintenance.
2. Remove front diffuser grill by removing the 4 screws (1 from each corner).
3. Wash grill with hot soapy water and dry immediately, or use air compressor to blow debris from grill louvers.

4. While holding fan (to avoid damage or bending), use an air compressor, hair dryer or vacuum on blow cycle to blow debris through the outer cabinet louvers and finned elements (Do not touch elements. Elements have sharp surfaces).
5. Vacuum or blow air inside fan area without touching the elements.
6. Carefully wipe off the fan blade without damaging or bending it.
7. Replace diffuser grill and secure with screws.
8. Re-connect power cord to power supply.

Resetting the Manual-Reset Limit Control

The heater is protected by a high temperature manual reset switch, designed to open the heater circuit when excessive operating temperature is detected. If the manual reset limit control has opened the heater circuit due to excessive operating temperatures, the heater will not work or may blow cold air until the limit reset button is pressed. After allowing the unit to cool for at least 10 minutes and resolving the problem causing the limit to trip (typically the heater is blocked or needs cleaning); use a narrow object such as a ball-point pen to access the reset button through the lower-right hole marked "RESET". Press **FIRMLY** and be sure to listen and feel for a click indicating it has been reset. If the manual reset continues to trip, check heater clearances to make sure they meet the recommended distances.

IMPORTANT!

Always connect heater to properly grounded outlets.

IMPORTANT!

This is a 240 volt heater and requires a 240 volt wired receptacle. Do not alter cord.

IMPORTANT!

The fan will delay approximately 20 seconds on startup, and will continue for approximately 70 seconds after elements shut off.

⚠ WARNING!

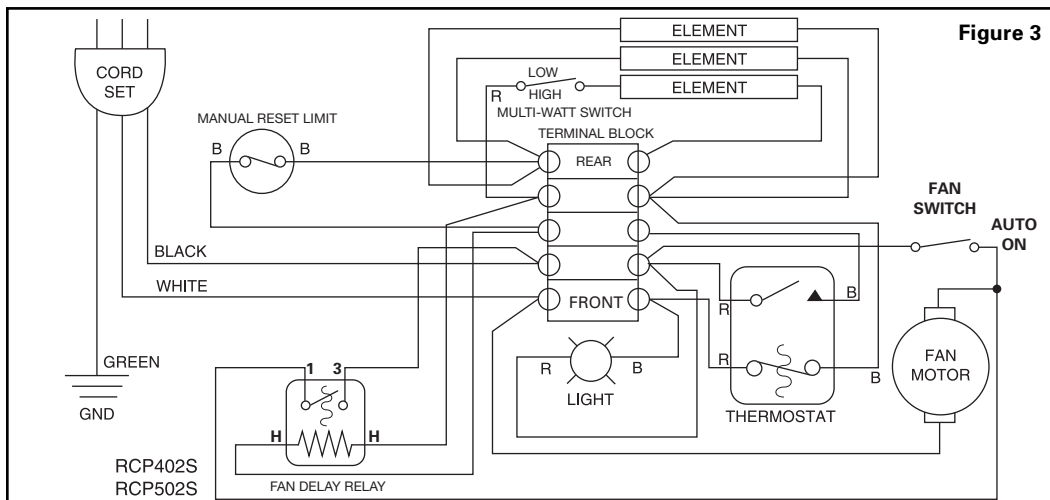
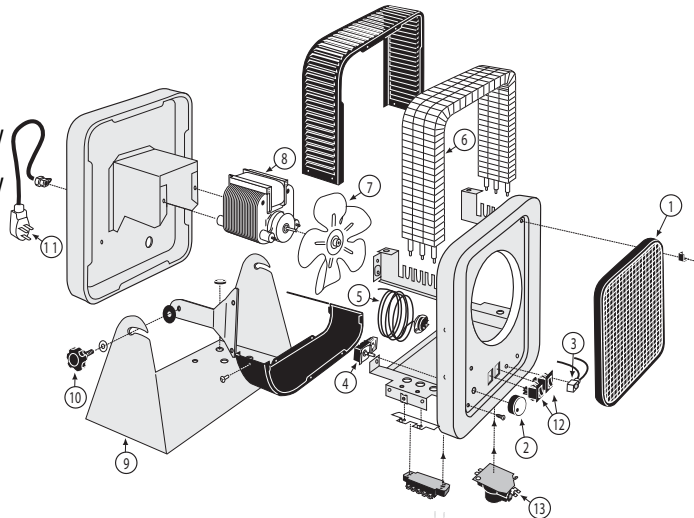
Risk of fire. Heaters must be kept clean of lint, dirt and debris.

Failure to follow warnings may cause heater to eject sparks, ignite materials, or cause electrical shock.

Parts List

1. 410102 FRONT GRILL ASSY W/CLIPS
2. 040019 THERMOSTAT KNOB
3. 050524 PILOT LIGHT
4. 051226 THERMOSTAT
5. 050327 TEMPERATURE LIMIT SWITCH
6. 401723 ELEMENT, RCP402S 1333/1000W (3 REQ.)
- 401726 ELEMENT, RCP502S 1667/1332W (3 REQ.)
7. 001601 BLADE FAN
8. 051424 FAN MOTOR, RCP402S
- 051408 FAN MOTOR, RCP502S
9. 400202 MOUNTING STAND
10. 040023 MOUNTING KNOB
11. 051901 CORDSET, RCP402S
- 051903 CORDSET, RCP502S
12. 051707 ROCKER SWITCHES (2 REQ.)
13. 050520 FAN DELAY RELAY

Note: Only the items listed above are available for purchase.



TROUBLESHOOTING CHART

CONSULT LOCAL ELECTRICAL CODES TO DETERMINE WHAT WORK MUST BE PERFORMED BY QUALIFIED ELECTRICAL SERVICE PERSONNEL

Symptom	Problem	Solution
The plug does not fit receptacle	1. Heater is 240 volt requiring a 20 amp or 30 amp 240 volt receptacle (see Fig. 1)	1. DO NOT ALTER CORD. Install the proper 240 volt receptacle (see Figure 1) or return the heater in its original condition
Heater does not operate	1. Heater is or has been blocked 2. Thermostat set too low 3. Circuit breaker not turned on 4. Loose plug connection 5. Defective manual reset limit	1. Remove obstruction. Push manual reset button found in front lower panel 2. Turn knob clockwise until a click sound is heard 3. Turn circuit breaker on 4. Check plug connection 5. Replace manual reset limit
Elements heat, fan does not operate	1. Defective fan delay relay 2. Jammed fan blade 3. Defective motor	1. Replace the fan delay relay 2. Remove obstruction 3. Replace fan motor
Heater fan operates, but does not discharge warm air	1. Manual reset limit tripped 2. Fan switch is "ON" and thermostat setting is below actual temperature 3. Defective heater elements 4. Wire loose from elements 5. Temperature rise on heater is 40°	1. Allow heater to cool, then push reset 2. Increase the thermostat setting; turn fan switch to "AUTO" 3. Replace elements 4. Check and correct loose wire 5. Close doors or windows. Provide additional insulation and/or heaters Wait for room to warm up
Heater does not shut off	1. Heat loss from area is greater than heater capacity 2. Defective thermostat 3. Fan switch in "ON" position 4. Fan dispersing warm air after shutdown	1. Close doors or windows. Provide additional insulation and/or heaters 2. Replace thermostat 3. Change fan switch to "AUTO" setting 4. Fan will shut off in approximately 90 seconds
Heater discharges smoke	1. Dust, dirt, and lint accumulated inside the heater 2. Jammed fan blade	1. Clean heater. Blow dirt accumulation off heater with compressed air (air compressor recommended) 2. Remove obstruction
Manual reset limit trips repeatedly	1. Overheating 2. Overheating at shutdown 3. Overheating from excessive dust or dirt particles 4. Overheating due to elevation of location	1. Check all clearance requirements. 12" minimum clearance required between top of heater and ceiling. Heater is not recommended for ceiling mount 2. Discontinue use of breaker to control heater, or replace time delay switch 3. Clean heater (See "Operation and Maintenance" section for instructions) 4. Location elevation exceeds recommended 7500 feet

Warranty

Maintenance: For more effective and safer operation and to prolong the life of the heater, read the Owner's Guide and follow the maintenance instructions included with each heater. Failure to properly maintain the heater will void any warranty and may cause the heater to function improperly. Warranties are non transferable and apply to original consumer only. Warranty terms are set out below.

LIMITED ONE-YEAR WARRANTY: Cadet will repair or replace any Cadet product, including thermostats, found to be defective within one year after the date of purchase.

Model RCP

LIMITED FIVE-YEAR WARRANTY: Cadet will repair or replace any Cadet 240 Volt Portable Unit Heater (RCP) element or motor found to be defective within five years after the date of purchase.

THESE WARRANTIES DO NOT APPLY:

1. Damage occurs to the product through improper installation or incorrect supply voltage;
2. Damage occurs to the product through improper maintenance, misuse, abuse, accident, or alteration;
3. The product is serviced by anyone other than Cadet
4. If the date of manufacture of the product cannot be determined;
5. If the product is damaged during shipping through no fault of Cadet.

6. CADET'S WARRANTY IS LIMITED TO REPAIR OR REPLACEMENT AS SET OUT HEREIN. CADET SHALL NOT BE LIABLE FOR DAMAGES SUCH AS PROPERTY DAMAGE OR FOR CONSEQUENTIAL DAMAGES AND/OR INCIDENTAL EXPENSES RESULTING FROM BREACH OF THESE WRITTEN WARRANTIES OR ANY EXPRESS OR IMPLIED WARRANTY.
7. IN THE EVENT CADET ELECTS TO REPLACE ANY PART OF YOUR CADET PRODUCT, THE REPLACEMENT PARTS ARE SUBJECT TO THE SAME WARRANTIES AS THE PRODUCT. THE INSTALLATION OF REPLACEMENT PARTS DOES NOT MODIFY OR EXTEND THE UNDERLYING WARRANTIES. REPLACEMENT OR REPAIR OF ANY CADET PRODUCT OR PART DOES NOT CREATE ANY NEW WARRANTIES.
8. These warranties give you specific legal rights, and you may also have other rights which vary from state to state. Cadet neither assumes, nor authorizes anyone to assume for it, any other obligation or liability in connection with its products other than as set out herein.

If you believe your Cadet product is defective, please, contact Cadet Manufacturing Co. at 360-693-2505, during the warranty period, for instructions on how to have the repair or replacement processed. Warranty claims made after the warranty period has expired will be denied. Products returned without authorization will be refused.

Parts and Service

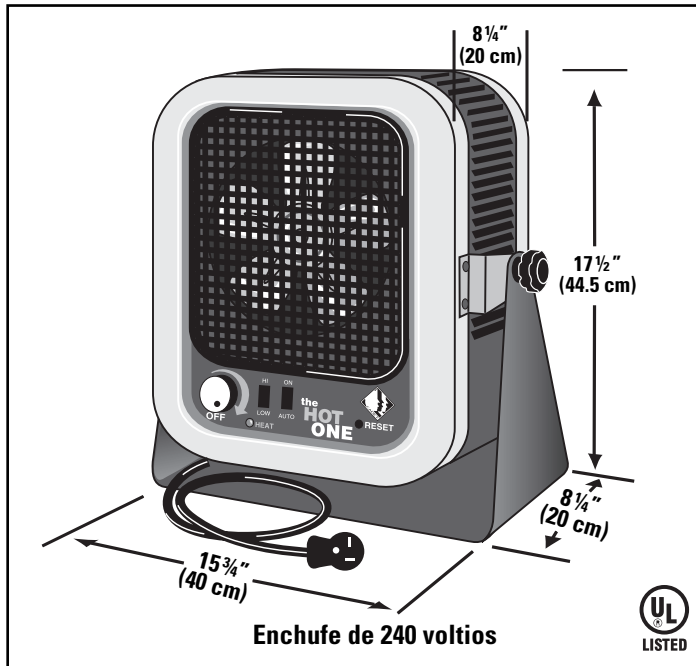
Visit support.cadetco.com for information on where to obtain parts and service.



SAFETY & QUALITY

The Hot One®

GUÍA PARA EL PROPIETARIO

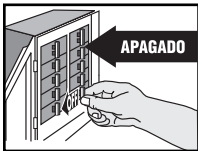


Características y Beneficios

- Reglaje manual de alta temperatura y calidad comercial
- La demora (retraso) del ventilador elimina las corrientes de aire frías al arrancar y dispersa el calor residual al apagarse.
- Control del ventilador solamente para la circulación de aire frío.
- Cable de 6 pies con enchufe polarizado de 240 voltios.
- Termostato de doble polo incorporado
- Ménsula para montaje mural o soporte para piso
- Garantía extendida de 5 años

Modelos: RCP402S RCP502S

INSTRUCCIONES IMPORTANTES



⚠ ¡ADVERTENCIA!

Desconecte la electricidad en el tablero del panel eléctrico (caja de cortacircuitos o fusibles) y trabe o coloque un cartel en la puerta del tablero del panel para evitar que alguien vuelva a conectar la energía mientras se esté trabajando en el calentador. De lo contrario podrían producirse graves golpes eléctricos, quemaduras e incluso la muerte.

1. Lea todas las instrucciones antes de usar este calentador.
2. No coloque el calentador apegado a superficies de cartulina o de fibra de baja densidad.
3. No lo use a la intemperie.
4. Este calentador no está hecho para usarse en baños, zonas de lavandería ni otros lugares similares bajo techo. Nunca coloque el calentador donde pueda caer en una tina o algún otro recipiente con agua.
5. No coloque el calentador bajo un tomacorriente eléctrico.
6. ⚠ ¡ADVERTENCIA!
Podría producirse recalentamiento o un incendio. No coloque el calentador en el cielo raso ni detrás de puertas.
7. ⚠ ¡ADVERTENCIA!
Podrían producirse explosiones o incendios. El calentador está caliente y contiene piezas que producen arcos voltaicos o chispas. No instale el calentador en áreas donde exista la presencia de vapores, gases o líquidos combustibles o exceso de pelusas o polvo.
8. ⚠ ¡ADVERTENCIA!
Riesgo de quemaduras. Este calentador se calienta mucho cuando está en uso. Para evitar quemaduras, no lo toque con su piel

descubierta. Tenga mucho cuidado cuando use el calentador en o cerca de niños o de personas inválidas, y cada vez que deje el calentador funcionando sin vigilancia.

9. ⚠ ¡ADVERTENCIA!
Riesgo de electrocución. Conecte el aparato sólo a tomacorrientes con una puesta a tierra correcta. Evite que entren objetos extraños al calentador. Desenchufe el calentador antes de efectuar cualquier labor de mantenimiento o mientras no lo esté usando. Para desconectarlo, ponga el control en "Off" y luego quite el enchufe del tomacorriente.
10. ⚠ ¡ADVERTENCIA!
Riesgo de electrocución o lesiones. No tienda el cable bajo las alfombras. No cubra el cable con alfombras persas, tapetes ni objetos similares. Disponga el cable lejos de zonas de tránsito para que no produzca riesgo de tropiezo. No opere el calentador si el cable o enchufe están dañados, después de alguna avería, o si se ha caído o sufrido algún tipo de daño.
11. ⚠ ¡ADVERTENCIA!
Riesgo de incendio. No bloquee el calentador. El calentador debe mantenerse sin obstrucciones: mantenga una distancia mínima de 3 pies por delante, 6 pulgadas por detrás y por encima, y 12 pulgadas por los costados. Los calentadores deben mantenerse sin pelusas, suciedad ni residuos excesivos. (Consulte las instrucciones de mantenimiento)
12. ⚠ ¡ADVERTENCIA!
Riesgo de incendio. NO use el calentador con un cable de extensión. Enchufe el calentador directamente en un tomacorriente de 240 voltios.
13. Use este calentador sólo como se describe en este manual. Todo otro uso no recomendado por el fabricante puede causar incendios, descargas eléctricas o lesiones personales.

CONSERVE ESTAS INSTRUCCIONES

TEL: 360-693-2505 FAX: 360-694-8668 P.O. Box 1675 Vancouver, WA 98668-1675

LEER TODAS LAS INSTRUCCIONES E INFORMACIÓN ACERCA DE LA SEGURIDAD.

Este calentador es un electrodoméstico importante y requiere las conexiones eléctricas adecuadas para poder ser utilizado de forma segura. Enchufar el calentador directamente en un toma de corriente de 240 voltios de la pared o piso.

⚠️ ADVERTENCIA
Riesgo de incendio. El calentador debe mantenerse alejado de toda obstrucción: a un mínimo de 3 pies de distancia de la parte de adelante, 6 pulgadas de la parte de atrás y de arriba y a 12 pulgadas de los costados del calentador.

⚠️ ADVERTENCIA ⚠️
Riesgo de electrocución. Desenchufar la unidad antes de llevar a cabo cualquier servicio de mantenimiento en el calentador. ¡No hacerlo podría resultar en lesiones graves o la muerte!

Instrucciones para la Instalación

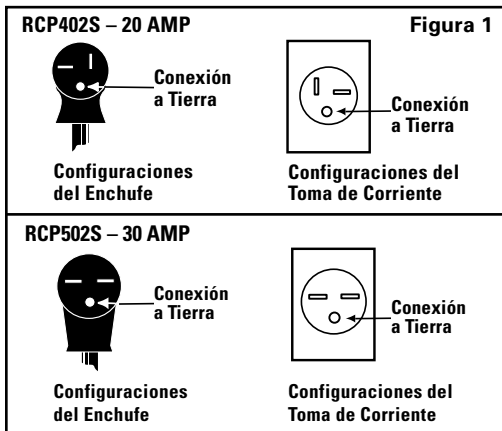
INSTALACIÓN: El modelo Hot One se puede instalar en el piso con un soporte o bien en la pared con la ménsula universal suministrada. Si se monta en la pared, Cadet recomienda un espacio de 12 pulgadas desde la parte superior de la unidad hasta el cielo raso. El modelo Hot One no se recomienda para montaje en cielo raso ni elevaciones de más de 7500 pies.

PASO 1 Inspeccion y Armado del Calentador

Inspeccionar cuidadosamente su calentador para verificar que el mismo no ha sido dañado durante el envío o manejo y quitar todo el material de embalaje o papeles que se encuentren alrededor del calentador.

PASO 2 Requisitos de enchufes y tomacorrientes

PRECAUCION: Éste es un calentador de 240 voltios y requiere un tomacorriente de régimen similar. Consulte las configuraciones de enchufe (figura 1) a continuación.



PASO 3 Montaje

El calentador se puede instalar en la superficie del piso o bien montar en una pared usando el soporte suministrado. El soporte universal se monta de la siguiente forma:

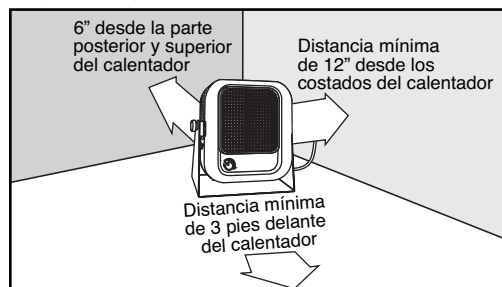
Montaje con soporte de piso

1. Coloque la arandela de acero, luego la de caucho en cada eje de perilla suministrado.
2. Atornille cada perilla en la ménsula suministrada en ambos lados del calentador, pero no las apriete.
3. Con el calentador en una superficie firme, deslice el soporte en cada eje de perilla entre las arandelas de acero y de caucho (consulte la figura 2).
4. Apriete las perillas.

Nota: El calentador se debe operar con el soporte conectado.

Montaje mural

1. Coloque la arandela de acero, luego la de caucho en cada eje de perilla suministrado.
2. Atornille cada perilla en la ménsula suministrada en ambos lados del calentador, pero no las apriete.
3. Monte el soporte en la pared. Tanto la pared como los herrajes de montaje deben tener la resistencia adecuada para soportar el calentador. Nota: Debe haber un tomacorriente de 240 voltios a una distancia máxima de seis pies del calentador.
4. Deslice el soporte en cada eje de perilla entre el acero y las arandelas de caucho (figura 2).
5. Apriete las perillas.



Specifications

MODELO	Vatios (Alto/Bajo)	Voltios (60 Hz)	BTU (000)	AMPs	Tipo de Enchufe
RCP402S	4000 / 2667	240	13,648 / 9,100	16.7 / 11.1	20 Amp
RCP502S	5000 / 3333	240	17,060 / 11,372	20.8 / 13.9	30 Amp

Instrucciones para el Funcionamiento

⚠️ ADVERTENCIA: Este calentador es un artefacto eléctrico de gran envergadura y requiere conexiones eléctricas adecuadas para poder usarlo sin riesgos. Enchufe el calentador directamente en un tomacorriente mural o de piso de 240 voltios.

Enchufe el cable eléctrico en un tomacorriente de 240 voltios. El enchufe debe calzar exactamente en el tomacorriente para que la conexión eléctrica sea adecuada. La alimentación de la unidad se indica mediante el encendido de la luz roja.

Cómo hacer funcionar el calentador

NOTA: Antes de operar el calentador, se deben completar los pasos 1 al 3 de la sección de inspección y montaje del aparato:

AJUSTE "AUTOMÁTICO"

1. Escoja el ajuste de vatiaje "HI" o "LOW" según se sugiera en la tabla de especificaciones (consulte más arriba).
2. Coloque el calentador en la posición "AUTO".
3. Gire la perilla del termostato completamente en el sentido de las manecillas del reloj.
4. Cuando la habitación alcance una temperatura que le resulte cómoda, gire la perilla del termostato en

el sentido contrario a las manecillas del reloj hasta escuchar un chasquido. El calentador se encenderá y apagará automáticamente según esta temperatura preestablecida.

5. Para reducir la temperatura del ambiente, gire la perilla en el sentido contrario a las manecillas del reloj. Para aumentar la temperatura del ambiente, gire la perilla en el sentido de las manecillas del reloj.

NOTA:

El modelo Hot One descarga aire con aumento de temperatura de 40°F. En los días extremadamente fríos, el aire emitido por el calentador puede no parecer caliente. Esto está dentro de los límites de operación normales. A medida que sube la temperatura, también aumenta el aire emitido por el calentador.

¡IMPORTANTE!

La operación del ventilador se retardará unos 20 segundos al poner el aparato en marcha. Esto permite que el elemento se caliente antes de expeler aire, evitando así que arranque en frío. La operación del ventilador continuará unos 90 segundos después de que los elementos se apaguen para dispersar el calor. Continúa en la página siguiente.

Operaciones y Mantenimiento

AJUSTE DE ENCENDIDO "ON"

El ventilador puede funcionar continuamente cuando se fija en la posición "ON". Para la circulación de aire de enfriamiento (cuando no se desee calor), gire el termostato al ajuste mínimo posible girando la perilla en sentido contrario a las manecillas del reloj.

NOTA

Si el termostato se pusiera en un ajuste superior a la temperatura ambiental, los elementos se encenderán y calentarán la zona hasta que la temperatura llegue al punto de ajuste programado. Una vez que los elementos se apaguen, el ventilador seguirá funcionando. Este ciclo continuará.

¡IMPORTANTE!

NO utilice el panel de cortacircuitos, la caja de fusibles ni el termostato mural para controlar el enchufe del tomacorriente.

Mantenimiento

Según sea necesario, o cada seis meses como mínimo.

- Deje que el calentador se enfríe, y luego desconecte el cable eléctrico de la fuente de alimentación. Para desconectarlo, ponga el control en "OFF" y luego quite el enchufe del tomacorriente. **¡IMPORTANTE!** El calentador se debe desenchufar antes de efectuar cualquier labor de mantenimiento.
- Quite la rejilla difusora delantera extrayendo los 4 tornillos (1 de cada esquina).
- Lave la rejilla con agua caliente con detergente y séquela de inmediato, o bien use un compresor de aire para soplar la suciedad de las persianas.
- Mientras sujeta el ventilador (para evitar que se dañe o tuerza), utilice un compresor de aire, un secador de

cabello o una aspiradora en el ciclo de soplado para quitar la suciedad en las persianas del armario externo y los elementos con aletas (sin tocarlos, ya que éstos tienen superficies afiladas).

- Aspire o sople aire dentro de la zona del ventilador sin tocar los elementos.
- Limpe cuidadosamente el aspa con un paño sin dañarla ni torcerla.
- Vuelva a instalar la rejilla difusora y fijela con los tornillos.
- Vuelva a conectar el cable eléctrico a la fuente de alimentación.

Cómo Restablecer el Control de Límite de Reglaje Manual

El calentador está protegido mediante un interruptor de reglaje manual de alta temperatura, diseñado para abrir el circuito del calentador cuando se detectan temperaturas de funcionamiento excesivas. Si el control de límite de reglaje manual ha abierto el circuito del calentador debido a temperaturas de funcionamiento excesivas, el calentador no funcionará o bien puede soplar aire frío hasta que se oprima el botón de reglaje del límite. Después de dejar que la unidad se enfríe durante unos 10 minutos y resolver el problema que causa que se disyunte el interruptor de límite (generalmente el calentador está bloqueado o necesita limpieza), utilice un objeto puntiagudo como un bolígrafo para acceder al botón de reglaje a través del orificio inferior derecho marcado "RESET". Oprima el botón **FIRMEMENTE** y asegúrese de escuchar y sentir un chasquido indicando que se ha restablecido. Si el reglaje manual continúa disyuntándose, revise el espacio libre alrededor del calentador y cerciórese de que cumpla con las distancias recomendadas.

¡IMPORTANTE!
Conectar el calentador siempre en tomas de corriente con la conexión a tierra apropiada.

¡IMPORTANTE!
Este es un calentador de 240 voltios y requiere un toma de corriente cableado de 240 voltios. No alterar el cable.

¡IMPORTANTE!
El ventilador demorará aproximadamente 20 segundos para arrancar y continuará funcionando durante aproximadamente 70 segundos después de que se apaguen los elementos.

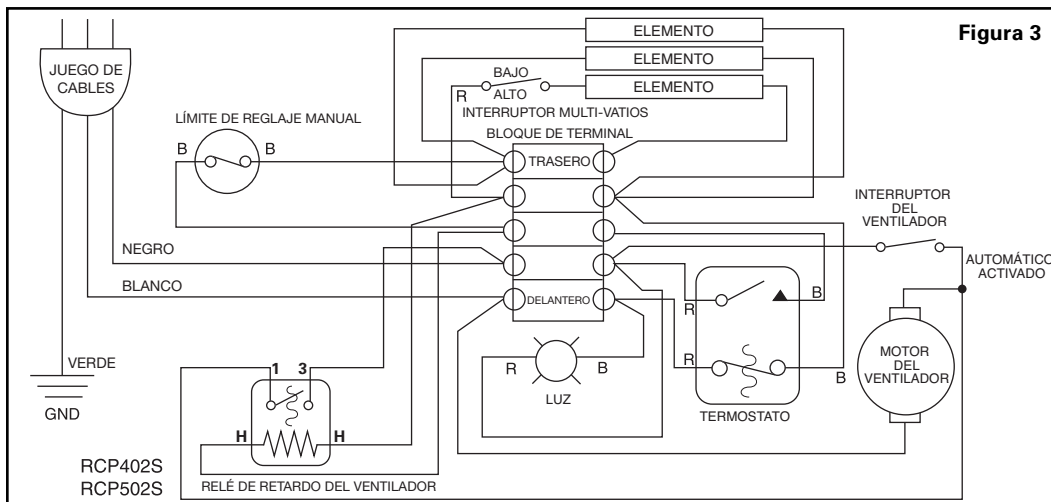
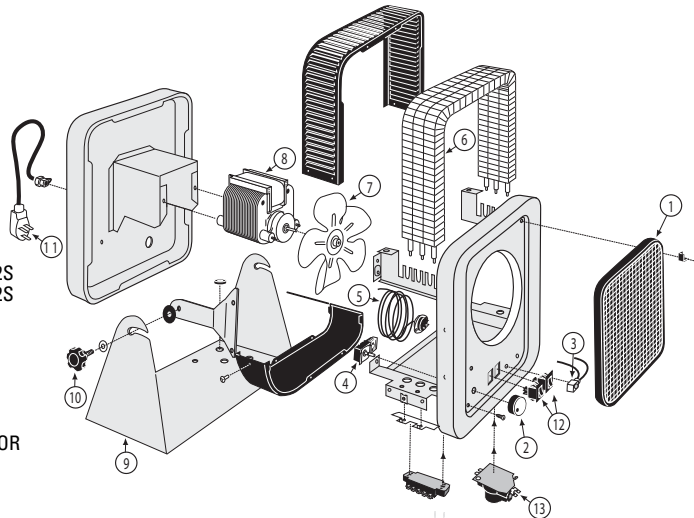
⚠ ¡ADVERTENCIA!
Riesgo de incendio. Los calentadores deben mantenerse libres de pelusa, suciedad y residuos.

No respetar las advertencias podría ocasionar que el calentador emita chispas, encienda materiales o que cause la electrocución.

Lista de Piezas

- 410102 CONJUNTO DE REJILLA FRONTAL C/PRESILLAS
- 040019 PERILLA DEL TERMOSTATO
- 050524 LUZ DEL PILOTO
- 051226 TERMOSTATO
- 050327 INTERRUPTOR DE LÍMITE DE TEMPERATURA
- 401723 ELEMENTO, RCP402S 1333/1000W (SE REQ. 3)
- 401726 ELEMENTO, RCP502S 1667/1332W (SE REQ. 3)
- 001601 VENTILADOR DE ASPAS
- 051424 MOTOR DEL VENTILADOR, RCP402S
051408 MOTOR DEL VENTILADOR, RCP502S
- 400202 SOPORTE DE MONTAJE
- 040023 PERILLA DE MONTAJE
- 051901 JUEGO DE CABLES, RCP402S
051903 JUEGO DE CABLES, RCP502S
- 051707 INTERRUPTORES BASCULANTES (SE REQ. 2)
- 050520 RELÉ DE RETARDO DEL VENTILADOR

Nota: Sólo los elementos antedichos están disponibles para la venta.



Solución de Problemas

CONSULTAR CON LOS CÓDIGOS DE ELECTRICIDAD LOCALES PARA DETERMINAR QUE PARTE DEL TRABAJO DEBE SER REALIZADA POR PERSONAL DE SERVICIO ELÉCTRICO CALIFICADO.

Síntoma	Problemas	Soluciones
El enchufe no calza en el tomacorriente	1. El calentador es de 240 voltios por lo que requiere un tomacorriente también de 240 voltios y de 20 ó 30 amperios (ver Fig. 1)	1. NO ALTERE EL CABLE. Instale un tomacorriente correcto de 240 voltios (consulte la figura 1) o devuelva el calentador en su estado original.
El calentador no funciona	1. El calentador está o ha estado bloqueado 2. El termostato se ha graduado muy bajo 3. El cortacircuito no está encendido 4. Conexión del enchufe suelta 5. Limitador de reglaje manual averiado	1. Retire la obstrucción. Presione el botón de reglaje manual que se encuentra en el panel delantero inferior 2. Gire la perilla en el sentido de las manecillas del reloj hasta que se escuche un chasquido 3. Encienda el cortacircuito 4. Verifique la conexión del enchufe 5. Reemplace el limitador de reglaje manual
Los elementos calientan, pero el ventilador no funciona	1. Relé de retardo del ventilador defectuoso 2. Aspa del ventilador atascada 3. Motor defectuoso	1. Reemplace el relé de retardo del ventilador 2. Retire la obstrucción 3. Reemplace el motor del ventilador
El ventilador del calentador funciona pero no envía aire caliente	1. Se disyuntó el limitador de reglaje manual 2. El ventilador está encendido en "ON" y el ajuste del termostato está bajo la temperatura real 3. Elementos calentadores defectuosos 4. Alambre suelto en los elementos 5. El aumento de temperatura en el calentador es de 40°	1. Deje que el calentador se enfríe y luego presione el reglaje 2. Aumente el ajuste del termostato; coloque el interruptor del ventilador en "AUTO" 3. Reemplace los elementos 4. Revise y corrija el alambre suelto 5. Cierre puertas y ventanas. Ponga más aislamiento o más calentadores. Espere que la habitación se entibie
El calentador no se apaga	1. La pérdida de calor de la zona es superior a la capacidad del calentador 2. Termostato defectuoso 3. El interruptor del ventilador está encendido en "ON" 4. El ventilador dispersa aire tibio después de haberse apagado	1. Cierre puertas y ventanas. Ponga más aislamiento o más calentadores 2. Reemplace el termostato 3. Cambie el interruptor del ventilador al ajuste "AUTO" 4. El ventilador se apagará en unos 90 segundos
El calentador emite humo	1. Se han acumulado polvo, suciedad y pelusas dentro del calentador 2. Aspa del ventilador atascada	1. Limpie el calentador. Limpie la acumulación de suciedad del calentador con aire comprimido (se recomienda usar un compresor de aire) 2. Retire la obstrucción
El limitador de reglaje manual se disyunta reiteradamente	1. Sobrecalentamiento 2. Sobrecalentamiento al apagar el aparato 3. Sobrecalentamiento por exceso de polvo o partículas de suciedad 4. Sobrecalentamiento debido a la elevación del lugar de instalación	1. Verifique todos los requisitos de espaciado. Se requiere un espaciado mínimo de 12 pulg. entre la parte superior del calentador y el cielo raso. No se recomienda el uso de este calentador para montaje en cielo raso 2. Deje de usar el cortacircuito para controlar el calentador, o bien reemplace el interruptor de retardo temporal 3. Limpie el calentador (vea las instrucciones en la sección "Operación y Mantenimiento") 4. La elevación del lugar de instalación sobrepasa los 7500 pies recomendados

Garantía

Mantenimiento: Para lograr una operación más eficaz y segura y prolongar la vida útil del calentador, lea la Guía del propietario y siga las instrucciones de mantenimiento incluidas con cada unidad. Si no le da el mantenimiento adecuado al calentador invalidará la garantía y puede hacer que el aparato funcione incorrectamente. Las garantías no son transferibles y rigen sólo para el comprador original. Los términos de la garantía se indican a continuación.

GARANTÍA LIMITADA DE UN AÑO: Cadet reparará o reemplazará todo producto Cadet, incluyendo los termostatos, que presente averías en un plazo de un año a partir de la fecha de compra.

Model RCP

GARANTÍA LIMITADA DE CINCO AÑOS: Cadet reparará o reemplazará todo elemento o motor de la unidad Cadet Register™ Plus (RM), Cadet Unit Heater (CEH) o calentador portátil (RCP) de 240 voltios que presente averías en un plazo de cinco años a partir de la fecha de compra.

ESTAS GARANTÍAS NO SON PERTINENTES PARA:

- Daños que sufra el producto por instalación o voltaje de suministro incorrectos;
- Daños que sufra el producto por mantenimiento incorrecto, uso indebido, abuso, accidente o alteraciones;
- Servicio que se le haya dado al producto por parte de personas o entidades ajenas a Cadet.
- Casos en que no se pueda determinar la fecha de fabricación del producto;
- Casos en que el producto resulte dañado durante el embarque por causas ajenas a Cadet.

- LA GARANTÍA DE CADET SE LIMITA A LA REPARACIÓN O REEMPLAZO, TAL COMO SE ESTABLECE EN ESTE DOCUMENTO. CADET NO SE HARÁ RESPONSABLE POR DAÑOS A LA PROPIEDAD O DAÑOS CONSECUTIVOS, COMO TAMPOCO POR GASTOS ACCIDENTALES DEBIDO AL INCUMPLIMIENTO DE ESTAS GARANTÍAS ESCRITAS O DE CUALQUIER GARANTÍA EXPRESA O IMPLÍCITA.
- EN CASO DE QUE CADET DECIDA REEMPLAZAR ALGUNA PIEZA DEL PRODUCTO CADET, LOS REPUESTOS SE REGISTRARÁN POR LAS MISMAS GARANTÍAS DEL PRODUCTO. LA INSTALACIÓN DE LOS REPUESTOS NO MODIFICA NI PROLONGA LAS GARANTÍAS VIGENTES. EL REEMPLAZO O REPARACIÓN DE TODO PRODUCTO O PIEZA CADET NO ORIGINA NINGÚN TIPO DE NUEVA GARANTÍA.
- Estas garantías le otorgan derechos legales específicos y es posible que usted tenga otros derechos que varíen de un estado a otro. Cadet no asume ni autoriza a nadie que lo haga en su nombre, ninguna otra obligación o responsabilidad en relación con sus productos que no sean las que se establecen en este documento.

Si considera que su producto Cadet está averiado, comuníquese con Cadet Manufacturing Co. al 360-693-2505, durante el período de garantía, para conocer las instrucciones sobre cómo tramitar la reparación o repuesto. Los reclamos de garantía presentados después de la finalización del período no serán acogidos. Los productos devueltos sin autorización serán rechazados.

Repuestos y servicio

Visite support.cadetco.com para la información encendido donde obtener piezas y servicio.